

# Cabinet Installation Guide



**⚠ IMPORTANT:** To reduce the risk of serious or fatal injury, read and understand this entire guide before beginning any installation.

# Thank you and congratulations on the investment in quality cabinetry for your home!

The cabinets you have purchased represent today's best value in cabinetry for kitchen, bath and every room in between. These cabinets are manufactured to the highest quality standards and backed by American Woodmark Corporation.

Warranty Information: A full copy of our warranty may be obtained from your retailer, builder or distributor or by visiting [www.americanwoodmark.com/warranty](http://www.americanwoodmark.com/warranty).

## General Safety Warnings

### **⚠ WARNING**

**TO REDUCE THE RISK OF DEATH OR SERIOUS INJURY, READ AND HEED ALL WARNINGS AND INSTRUCTIONS.**

**USE SAFETY PRECAUTIONS AT ALL TIMES. MAINTAIN A CLEAN, WELL-ORGANIZED WORKSPACE. WEAR SAFETY GOGGLES THAT COMPLY WITH ANSI Z87.1 AND ALL PROTECTIVE EQUIPMENT RECOMMENDED BY THE MANUFACTURERS OF THE TOOLS YOU WILL BE USING.**

**ONLY ATTACH CABINETS TO CENTER OF WALL STUDS ACCORDING TO INSTRUCTIONS.**

**THIS INSTALLATION GUIDE APPLIES TO ONLY WOOD STUD CONSTRUCTION. IF YOU ARE SECURING CABINETS TO ANOTHER MATERIAL, CONSULT AN INSTALLATION PROFESSIONAL TO IDENTIFY THE PROPER FASTENERS.**

**NEVER USE NAILS OR DRYWALL SCREWS TO INSTALL CABINETS BECAUSE DOING SO MAY DAMAGE CABINETS OR FAIL TO PROPERLY SECURE THEM WHICH MAY RESULT IN DEATH OR SERIOUS INJURY.**

**THE REQUIREMENT FOR ALL APPLIANCE INSTALLATIONS IS TO FOLLOW THE APPLIANCE MANUFACTURER'S SPECIFICATIONS FOR ADEQUATE CLEARANCE AND REQUIRED INSTALLATION MATERIALS.**

**AMERICAN WOODMARK MAKES NO CLAIMS OF COMPATIBILITY BETWEEN ANY APPLIANCE AND AWC PRODUCT(S).**

## Contents

General Safety Warnings.....	2
Preparation .....	3
Preparing Walls and Floors .....	3
Suggested Tool and Material List.....	4
Prepare Wall & Corner Wall Cabinets.....	5
Hang the Wall Cabinets One at a Time.....	6
Install Fillers (where applicable) .....	8
Install End Panels (where applicable).....	9
Install Base Cabinets.....	10
Install Moldings (if applicable) .....	11
Final Assembly and Cleanup .....	13
Door Hinge Adjustment .....	14
Drawer Head Adjustment.....	14
Drawer Installation .....	15
Drawer Glide Adjustments .....	15
Drawer Removal.....	15
Care and Cleaning.....	16

### INSTALLATION INSTRUCTIONS – LIABILITY DISCLAIMER

When you use these instructions, you are consenting to be bound by the provisions in this paragraph. These instructions provide an illustrative method for installing American Woodmark Corporation ("AWC") cabinets. AWC's instructions are not intended to address every possible contingency that might be encountered during installation or to endorse the use of any particular tools.

DISCLAIMER: AWC HAS DILIGENTLY TRIED TO ILLUSTRATE AND DESCRIBE THE INSTALLATION OF THE PRODUCTS IN THIS LITERATURE CLEARLY AND ACCURATELY; HOWEVER, SUCH ILLUSTRATIONS AND DESCRIPTIONS DO NOT EXPRESS OR IMPLY A WARRANTY OF ANY KIND, INCLUDING BUT NOT LIMITED TO ANY WARRANTY THAT THE PURCHASER WILL BE ABLE TO OBTAIN A PARTICULAR RESULT, OR THAT THE PRODUCTS OR INSTRUCTIONS ARE MERCHANTABLE, OR FIT FOR A PARTICULAR PURPOSE, OR THAT THE INSTALLED PRODUCTS WILL NECESSARILY CONFORM TO THE ILLUSTRATIONS OR DESCRIPTIONS OR DIMENSIONS. THESE INSTRUCTIONS DO NOT ENLARGE OR OTHERWISE MODIFY THE LIMITED WARRANTY RECEIVED WHEN YOU PURCHASED YOUR CABINETS, IF ANY. AWC HEREBY EXPRESSLY DISCLAIMS ALL WARRANTIES AND ALL LIABILITY FOR ANY CLAIMS FOR INJURY OR DEATH RELATED TO OR BASED UPON THE USE OF THESE INSTALLATION INSTRUCTIONS AND ANY INSTALLATION INSTRUCTIONS OTHERWISE PROVIDED BY AWC. AWC IS NOT RESPONSIBLE FOR ANY INACCURACIES, OMISSIONS OR TYPOS IN THIS GUIDE.

# Preparation

## Before You Begin

- 1 Check your inventory to be sure you received your entire order. If there are any missing or improper parts, contact your designer or customer service.
- 2 AWC recommends that no fewer than two people work together to install these cabinets.
- 3 Read and understand the entire installation guide prior to beginning the install.

## Safety Precautions

### **⚠ DANGER**

**TO REDUCE THE RISK OF SERIOUS OR FATAL INJURY FROM FIRE, EXPLOSION OR ELECTROCUTION, IF GAS LINE OR ELECTRICAL WORK IS INVOLVED, HAVE THE WORK DONE BY A UTILITY COMPANY OR QUALIFIED SERVICE PROFESSIONAL.**

**TO REDUCE THE RISK OF SHOCK, EXPLOSION OR INJURY, TURN OFF ALL GAS, ELECTRICAL AND WATER CONNECTIONS PRIOR TO PERFORMING ANY WORK. SHUT OFF THE POWER TO ALL APPLIANCES AND RECEPTACLES IN THE KITCHEN, INCLUDING LIGHTS, AT THE FUSE-BREAKER BOX. USE A CIRCUIT TESTER TO MAKE SURE POWER IS OFF.**

Once you have ensured that the gas, water and electric in the room are turned off, that the plumbing, gas and power supplies are properly capped, and have removed the old cabinetry and baseboards, you need to assess the room.

Take special note of the floors and walls. Use a level or straightedge to determine high spots and other imperfections. Mark any bumpy or bulging areas. You may have to prep the walls and floors if things are not plumb, level and square. (Many people prefer to repaint and replace the flooring while the room is empty.) The time you spend preparing the room will ensure smoother, easier installation of the cabinetry.

## Prepare the Walls and Floors

We know that homes settle and things may not always be perfectly flat and level. But there are ways to address this issue when installing cabinetry. Here are a few steps that will help you get off to a good start.

- 1 Locate and mark all the studs using a stud finder. (To verify the position of your studs, drive a small finishing nail into the wall in an area that will be covered up by a cabinet.)
- 2 Recheck your measurements. Make sure the cabinet drawings match the space.
- 3 Gather the tools you will need.

## Suggested Tool and Material List

- ANSI Z87.1 Rated Safety Goggles
- Layout from Designer
- Framing Square
- Hammer
- Pry Bar
- Phillips and Flathead Screwdrivers
- Level
- Tape Measure
- Pencil
- Straight Edge
- Drill
- Properly Rated Extension Cord
- 7/32" Drill Bit for Pre-drilling the Hanging Rail
- 3/32" Drill Bits for Frame & Filler Attachment Pilot Holes
- Jigsaw or Table Saw
- Miter Box
- Clamps or C-Clamps

- Stud Finder
- 6' Step Ladder
- Wood Shims
- Pin Nailer
- Small Finish Nails
- 1 x 2 or 1 x 3 Furring Strips
- Scrap Lumber (for 55" Propping Stick or T-Brace)
- Circuit Tester
- #10 x 2 1/2" Pan Head Screws (for wall attachment to stud)
- #8 x 2 1/2" Trim Head Screws (for frame attachment)

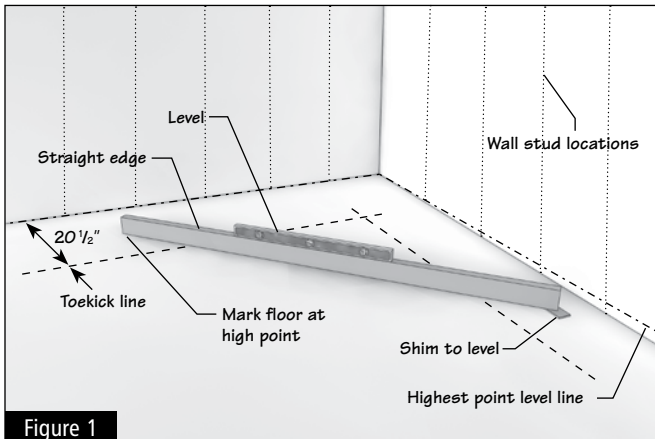
### **⚠ WARNING**

**FAILURE TO PROPERLY SECURE THE CABINETS MAY RESULT IN SERIOUS INJURY! THE SCREWS RECOMMENDED ARE FOR INSTALLATIONS INVOLVING DRYWALL AND WOOD STUD CONSTRUCTION, NOT FOR CONCRETE OR BRICK. IF SECURING CABINETS TO ANOTHER MATERIAL, CONSULT AN INSTALLATION PROFESSIONAL TO IDENTIFY THE PROPER FASTENERS.**

# Step 1 Measurement

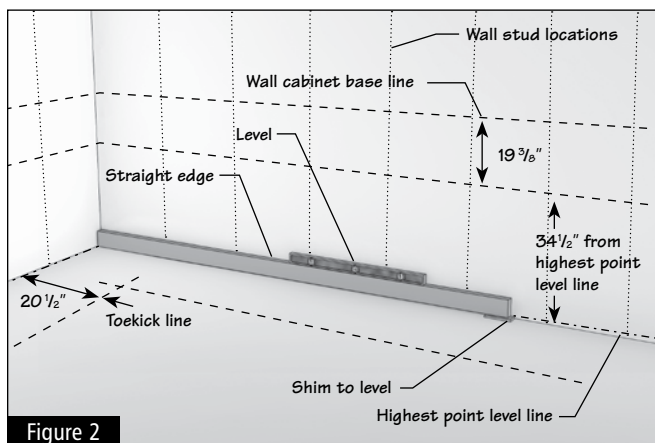
In order for cabinets to function properly, they must be installed level, plumb and flush with each other. This is easy enough to achieve with some advanced planning.

**1.1** First, locate the floor's highest point. In order to do this, place your level at the base of the wall, checking several places along the wall until you find the high point in the floor. Mark this spot. (Figure 1)

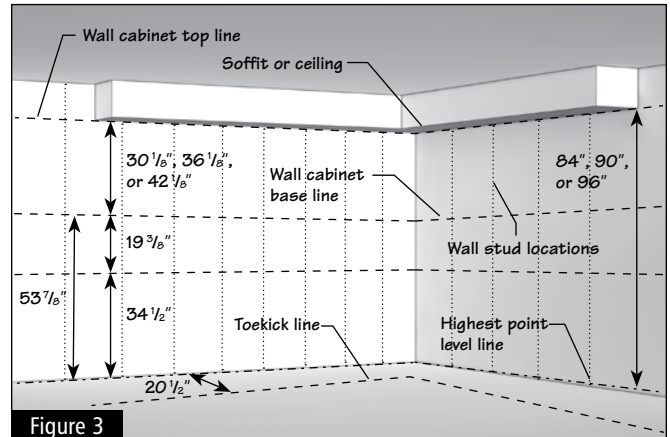


**1.2** Measure up from the high point  $34\frac{1}{2}$ " and draw a level line across the wall to establish the top of the base cabinets. If installing cabinets before your flooring, be sure to allow for the thickness of the material you plan to use. (Figure 2)

**1.3** Then measure up from there another  $19\frac{3}{8}$ ". This will be the baseline for the wall cabinets. (When you are finished, the wall cabinets will sit at  $53\frac{7}{8}$ " above the high spot in the floor). (Figure 2) Please refer to your design elevations to verify dimensions specific to your layout.

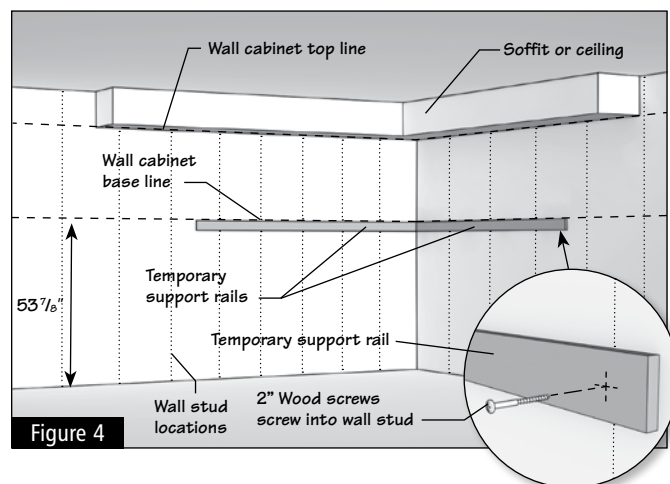


**1.4** Now measure up from the wall cabinet base line the same distance as the height of your cabinets ( $30\frac{1}{8}$ ",  $36\frac{1}{8}$ ",  $39\frac{1}{8}$ " or  $42\frac{1}{8}$ "). This will be the top line for the wall cabinets. All non-standard height wall cabinets need to line up with this top line as well. (Figure 3)



**NOTE: IF YOU HAVE A LOW CEILING OR SOFFIT, YOU MUST MAKE SURE THAT THE WALL CABINETS WILL FIT PROPERLY BETWEEN YOUR LEVEL LINE AND THE TOP.**

**1.5** Using the 1 x 2 or 1 x 3 furring strips, screw a support rail into the studs with 2" wood screws below the baseline you have drawn for the wall cabinets. This will help support the weight of the wall cabinets, and give you something to rest the cabinets on when installing them. Make sure your support rail (sometimes called a cleat or ledger board) is level. (Figure 4)



**1.6** You are now ready to join the wall cabinets.

## Step 2

# Prepare Wall & Corner Wall Cabinets

It is recommended that you install wall-mounted cabinets first so the base cabinets won't be in your way as you work. To begin, most people find it helpful to lay out the cabinets on the floor in position, level and plumb, and join them before hanging.

- 2.1** Remove all shelves and doors. You might want to mark (or carefully stack them in position) for reinstalling later. This will make the cabinets lighter and easier to handle. (Figure 5)

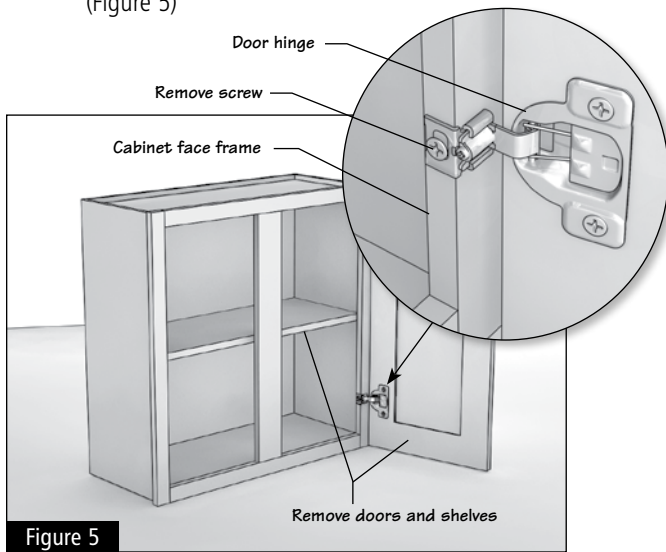


Figure 5

- 2.2** Refer to the layout provided by your designer and start with the corner cabinet (if there is one) and place it on the floor below where it is to be mounted.

**NOTE: WHEN INSTALLING A BLIND WALL CABINET, MAKE SURE THE CABINET IS PULLED OUT FROM THE CORNER THE APPROPRIATE DISTANCE CALLED FOR IN YOUR KITCHEN PLAN. ALWAYS BE SURE TO USE A FILLER TO ALLOW FOR HINGE CLEARANCE.**

- 2.3** One by one, align the remainder of the cabinets and fillers in position on the floor using the plan provided by the designer. (Figure 6)

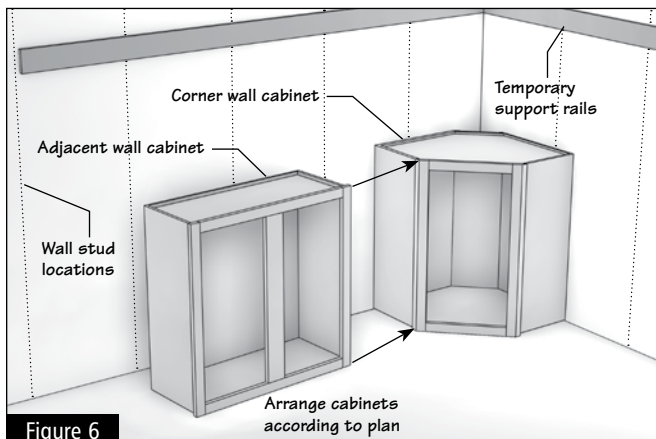


Figure 6

**NOTE: A BLIND WALL CABINET FILLS THE VOID OF THE CORNER WITH USABLE STORAGE. THE DOOR COMES PRE-MOUNTED ON THE LEFT SIDE, BUT CAN BE MOVED TO THE RIGHT DEPENDING ON YOUR DESIGN (SEE DIAGRAM A).**

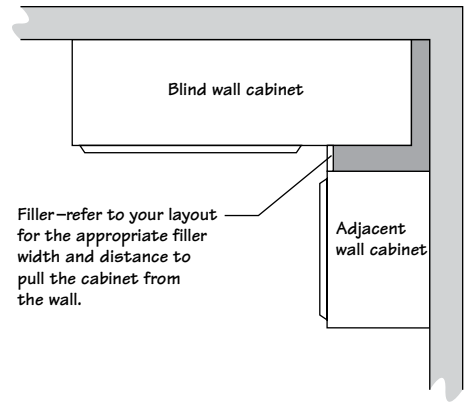


DIAGRAM A

- 2.4** Using a level, make sure each cabinet is level and each face frame (front of the cabinet) is flush with the adjacent cabinet. A pry bar and shims can be used temporarily to get everything level and plumb. (Figure 7)

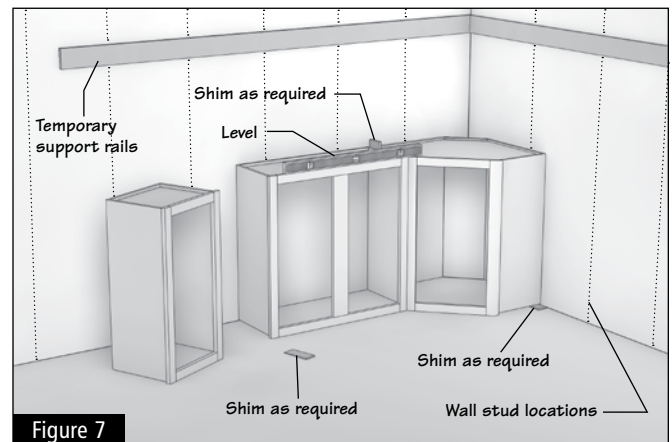


Figure 7

**NOTE: IT IS PARTICULARLY IMPORTANT TO INSTALL THE FIRST CABINET LEVEL AND PLUMB, BOTH FROM SIDE-TO-SIDE AND FROM FRONT-TO-BACK BECAUSE EACH ADDITIONAL CABINET WILL BE ALIGNED WITH THE FIRST ONE.**

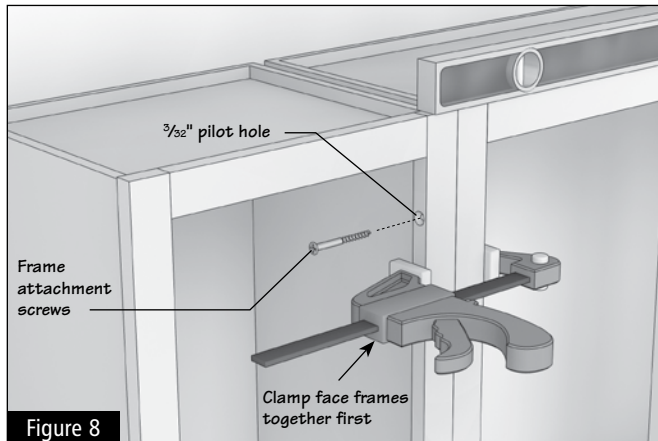
**NOTE: PLACE TALL CABINETS FOR SPACING, BUT DO NOT ASSEMBLE.**

Continued

## ⚠ WARNING

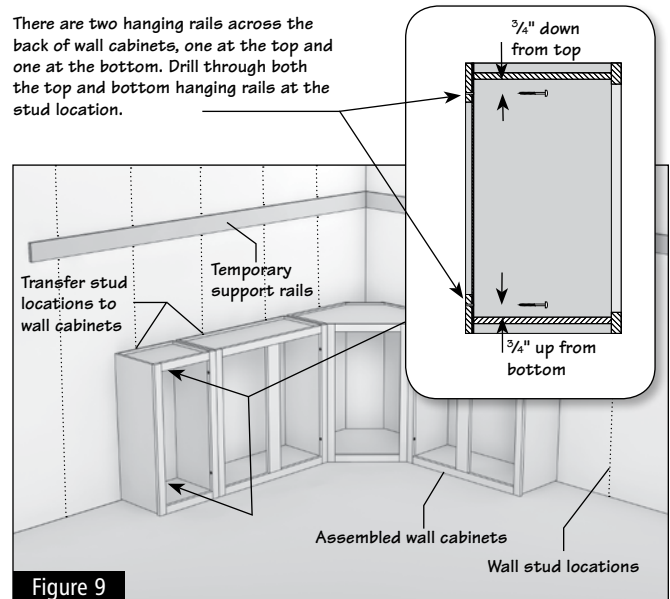
**TO PROPERLY SECURE WALL CABINETS LARGER THAN 15" WIDE, AND TO REDUCE THE RISK OF CABINETS FALLING AND CAUSING SERIOUS INJURY, USE AT LEAST 4 INSTALLATION SCREWS AND MAKE SURE THE SCREWS GO INTO THE STUDS AT LEAST 1".**

- 2.5** In order to attach two cabinets, you will need to clamp them together first. Then, drill a  $\frac{3}{32}$ " pilot hole in three places along the hinge side of the frame ensuring that the holes do not interfere with the hinge placement. Finally, drive in the #8 x  $2\frac{1}{2}$ " frame attachment (trim head) screws to join the two cabinets. (Figure 8)



- 2.6** IMPORTANT: Check to make sure the frames are even and plumb.
- 2.7** Continue for the remainder of the cabinets and fillers following the layout provided by your designer.

- 2.8** Once all cabinets are pre-assembled on the floor, measure from the corner to the first stud mark and transfer the measurement to the inside of the cabinet to be installed. Repeat this step for each and every stud. Now drill  $\frac{7}{32}$ " holes for mounting through the top and bottom hanging rails inside of the cabinet  $\frac{3}{4}$ " down from the top and  $\frac{3}{4}$ " up from the bottom. (Figure 9)



- 2.9** Fillers must also be pre-drilled and screwed into position. Refer to STEP 4—INSTALL FILLERS... for more information about measuring, cutting and installing fillers.

## Step 3 Hanging Wall Cabinets

- 3.1** Recheck the pre-assembled cabinets for level and plumb, then disassemble wall cabinets before installing.

## ⚠ WARNING

**TO REDUCE THE RISK OF SERIOUS OR FATAL INJURY, REMOVE ALL SCREWS AND DISASSEMBLE WALL CABINETS BEFORE INSTALLING.**

**CABINETS MAY BE TOO HEAVY FOR ONE PERSON TO SAFELY LIFT ALONE.**

**THIS INSTALLATION GUIDE APPLIES TO ONLY WOOD STUD CONSTRUCTION. IF YOU ARE SECURING CABINETS TO ANOTHER MATERIAL, CONSULT AN INSTALLATION**

**PROFESSIONAL TO IDENTIFY THE PROPER FASTENERS.**

**NEVER USE NAILS TO INSTALL CABINETS BECAUSE DOING SO MAY DAMAGE CABINETS OR FAIL TO PROPERLY SECURE THEM WHICH MAY RESULT IN DEATH OR SERIOUS INJURY.**

**TIGHTENING BACK RAILS AGAINST A CROOKED WALL WITHOUT SHIMS CAN BREAK JOINTS BETWEEN THE RAIL AND THE BODY OF THE CABINET, CAUSING IT TO FALL FROM THE WALL AND POSSIBLY RESULTING IN SERIOUS PERSONAL INJURY.**

- 3.2** Start with the corner cabinet. With someone else's help, lift it into position on the support rail and use a 2 x 4 or T-Brace at the front to prop the cabinet into place. Keep in mind, blind corner cabinets may need to be pulled out from the corner as shown in your kitchen plan. (Figure 10)

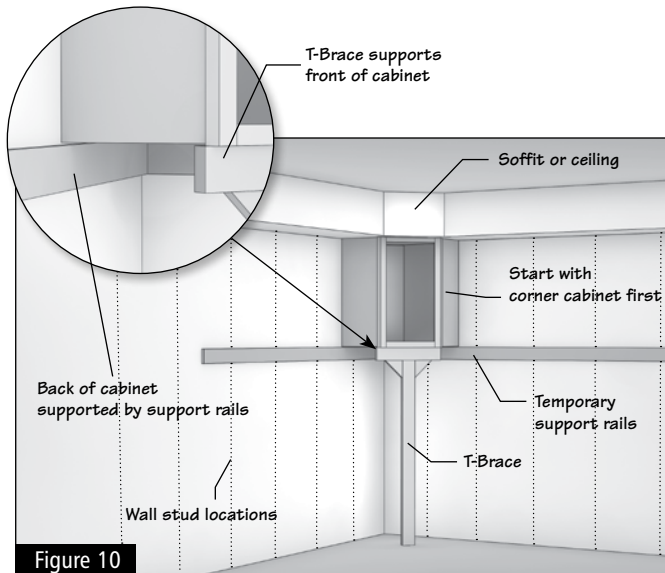


Figure 10

- 3.3** Fasten the cabinet to the wall with #10 x 2½" wall attachment (pan head) screws. Do not fully tighten the screws until all cabinets have been shimmed and properly positioned.

- 3.4** Next, using your level against the front of the cabinet, shim wherever necessary to make sure the cabinets are perfectly plumb (even though the walls may not be). Keep in mind, you may have to loosen the wall attachment screws slightly to shim properly.

- 3.5** Lift the adjacent cabinet into position on the support rail and brace. Using the pilot holes you created on the floor, attach the two cabinets at the face frames, making sure they are still flush when screwed together. (Figure 11)

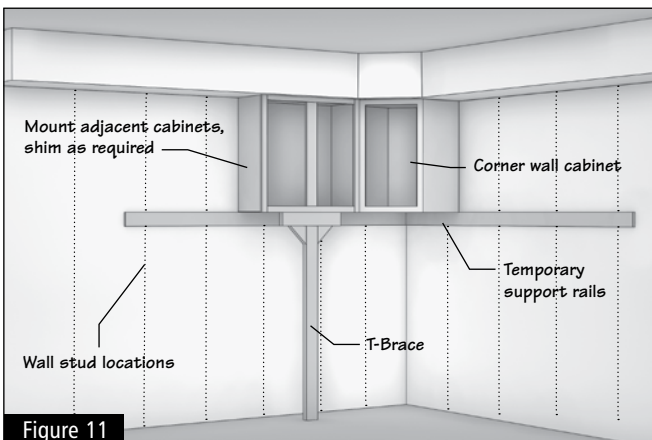


Figure 11

- 3.6** Once again, fasten the cabinet to the wall with #10 x 2½" wall attachment (pan head) screws. Do not fully tighten.

- 3.7** If there is a blind corner cabinet, the opening should be sealed at this point with the ½" panel packed inside the cabinet. Pre-drill for small finishing nails or use a pin nailer. (Figure 12)

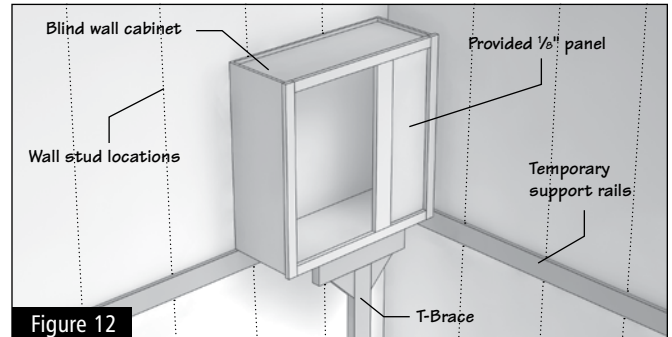


Figure 12

- 3.8** Continue along the walls until all cabinets are in place. If a tall or utility cabinet is part of your plan, it should be added at this point. Once again, shim for proper height and to align so that it is perfectly plumb with the adjacent wall cabinet. Once face frames are flush, clamp, drill and screw together as previously described.

**NOTE: AT THIS POINT, YOU MAY WANT TO SET THE TALL CABINET INTO POSITION TO BE SURE IT FITS PROPERLY. NOTE: REFER TO SPECIFIC INSTRUCTIONS THAT COME WITH SPECIALTY TALL CABINETS.**

- 3.9** Once all cabinets are properly shimmed and properly positioned, finish tightening the screws to secure the cabinets to the walls.

- 3.10** Remove the support rails and spackle screw holes if needed.

## ⚠ WARNING

**TO AVOID RISK OF DRIVING SCREWS BEYOND THE CABINET FACE, CARE MUST BE TAKEN TO PREVENT OVER TIGHTENING OF THE SCREWS AND DESTROYING THE INTEGRITY OF THE HANGING STRIP.**

**TO REDUCE THE RISK OF SERIOUS INJURY OR DAMAGE FROM A LOOSE OR FALLING CABINET, WALL CABINETS GREATER THAN 12" IN DEPTH OR LARGER THAN 24" IN WIDTH MUST NOT BE INSTALLED AND/OR USED AS SINGLE, STAND-ALONE CABINETS WITHOUT TAKING EXTRA PRECAUTIONS TO FULLY AND SAFELY SECURE THE CABINET TO THE WALL. ADDITIONAL MOUNTING SUPPORT INTO A CEILING, BULKHEAD, OR SIDE WALL(S) IS ALSO RECOMMENDED WHEN POSSIBLE. WHEN THIS IS NOT POSSIBLE, THEN ADDITIONAL SUPPORT MUST BE PROVIDED EITHER ABOVE OR BELOW THE CABINET TO SUPPORT WEIGHT AT A POINT AT LEAST 12" FROM THE WALL. THIS CAN BE DONE THROUGH ANGLE BRACKETS/BRACING, SHELVING, AND/OR ADDITIONAL CABINETS AS A STAND.**

## Step 4

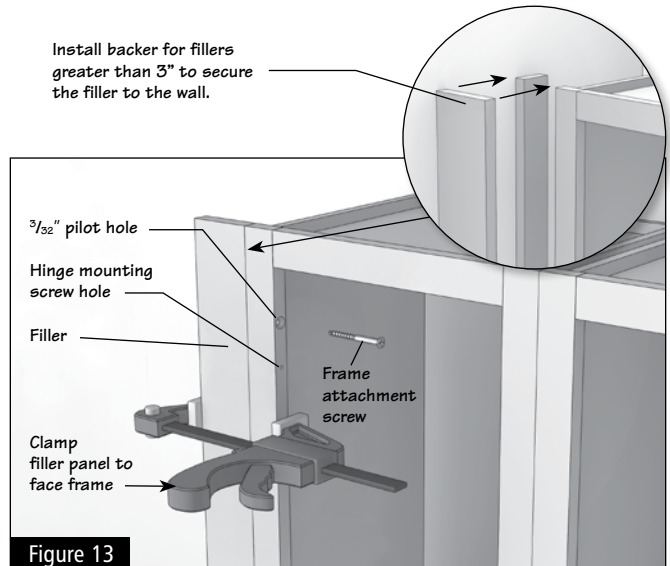
## Install Fillers (where applicable)

Fillers may be necessary when installing cabinets. They help allow for odd dimensions between a run of cabinets and the wall. They also allow clearance for doors and drawers to operate properly when turning a corner with a blind corner cabinet. Fillers and valances often have to be trimmed to fit.

**4.1** Measure the area requiring a filler piece. Carefully trim the filler piece to the appropriate width with a saw.

**4.2** Clamp the filler in place and once again, drill a pilot hole on the hinge side of the face frame and into the filler.

**4.3** Fasten the filler to the cabinet with #8 x 2½" frame attachment (trim head) screws. (Figure 13)



**4.4** If using a blind corner base, secure the other end of the filler through the inside of the cabinet with the same pilot hole and frame attachment screw technique.



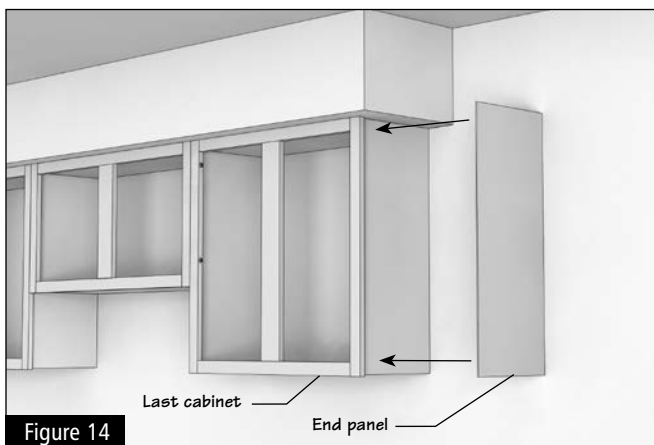
## Step 5 Install End Panels (where applicable)

### ⚠ WARNING

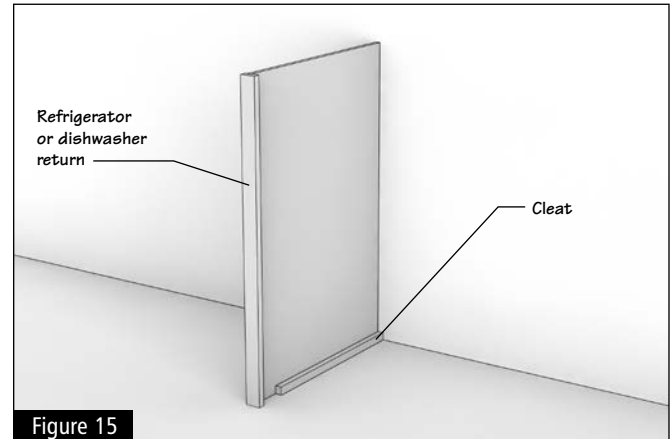
**TO REDUCE THE RISK OF DEATH OR SERIOUS PERSONAL INJURY OR PROPERTY DAMAGE, AVOID ANY CONTACT WITH PLUMBING, WIRING OR GAS LINES. THESE LINES ARE OFTEN IN THE WALLS AND UNDER THE FLOOR.**

End panels are used to finish off a run of cabinets or box out an appliance. Make sure to install plumb and level.

- 5.1** If your application uses a finished end panel, first trim the panel to fit and then attach the panel to the side of the cabinet. This can be done with contact adhesive or 1/2" finishing nails. (Figure 14)



- 5.2** When installing a refrigerator or dishwasher return, it is important to mount a cleat at the floor to secure this panel. Simply cut a piece of 1 x 2 dimensional lumber about 20" long so it is not exposed at the front of the panel. Then secure to the floor with 2-3 fasteners (concrete screws for concrete floors / wood screws for wood floors). Secure the cleat to the panel (DWR, RR, SFR, etc.) with 2-3 wood screws. (Figure 15)



## Step 6 Install Base Cabinets

Installing base cabinets is very similar to the wall cabinets above. The idea again is to lay out all the cabinets in position and make sure all cabinets are level, square and plumb.

- 6.1** Remove all shelves, drawers and doors. You might want to mark (or stack them in position) for reinstalling later. This will make the cabinets lighter and easier to handle. (See Appendix for drawer removal technique.) (Figure 16)

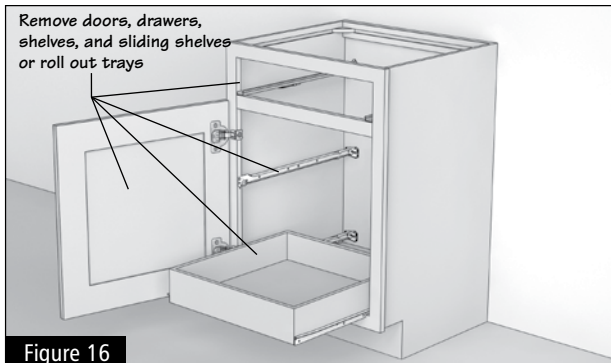


Figure 16

- 6.2** Start with the corner cabinet (if there is one) and place it in position where it is to be mounted. When using a blind base cabinet, make sure the cabinet is pulled out from the corner the appropriate distance as called for in your kitchen plan. (Figure 17)

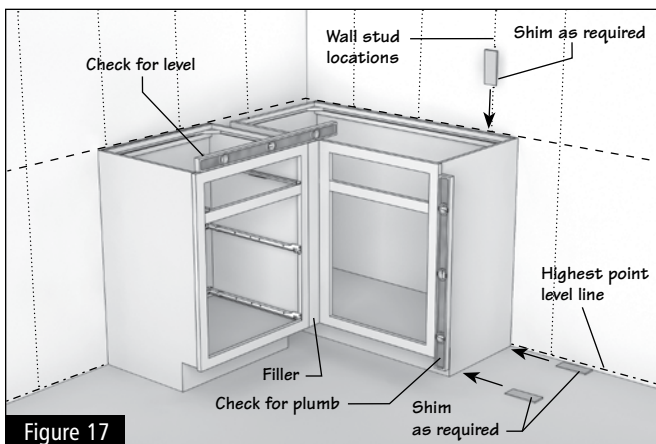
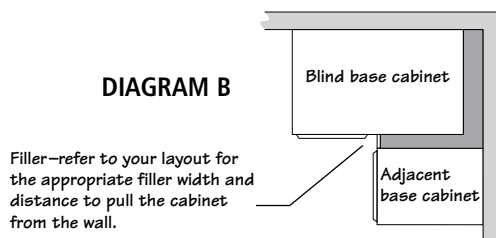


Figure 17

**NOTE: A BLIND BASE CABINET FILLS THE VOID OF THE CORNER WITH USABLE STORAGE. THE DOOR COMES PRE-MOUNTED ON THE LEFT SIDE, BUT CAN BE MOVED TO THE RIGHT DEPENDING ON YOUR DESIGN (SEE DIAGRAM B).**

### DIAGRAM B



- 6.3** Make sure your cabinet reaches the 34½" high level line you drew on the wall. If not, you may have to shim into position or use scrap to raise it to the proper level. If the cabinet is tilting backward, shims at the back edge will help. If it's tilting forward, use the pry bar under the front to adjust and then shim.
- 6.4** Measure from the corner to the first stud mark and transfer the measurement to the inside of the cabinet to be installed. Repeat this step for each and every stud. Now drill ⅜" mounting holes through the center of the hanging rail inside of the cabinet.
- 6.5** Fasten the cabinet to the wall with #10 x 2½" wall attachment (pan head) screws.
- 6.6** If there is a blind corner cabinet, seal the opening with the ⅛" panel packed inside the cabinet, as previously described in the wall cabinet installation section.
- 6.7** Next, shim the adjacent cabinet into position and check for level and plumb. Once again, clamp the face frames when they are perfectly flush, drill pilot holes and join the two cabinets with screws as previously described.

**NOTE: YOU MAY NEED TO CREATE CUTOUTS FOR PLUMBING AND ELECTRICAL JUNCTION BOXES. BE SURE TO MEASURE AND MARK ACCURATELY. CUT HOLES FROM THE BACK OF THE CABINET BEFORE MOUNTING TO THE WALL.**

- 6.8** Continue this process until all cabinets are in place, making sure that each cabinet is resting at the line on the wall, level and plumb with each adjacent cabinet. Also make sure to screw cabinets to each other at the face frames before screwing to the wall. (Figure 18)

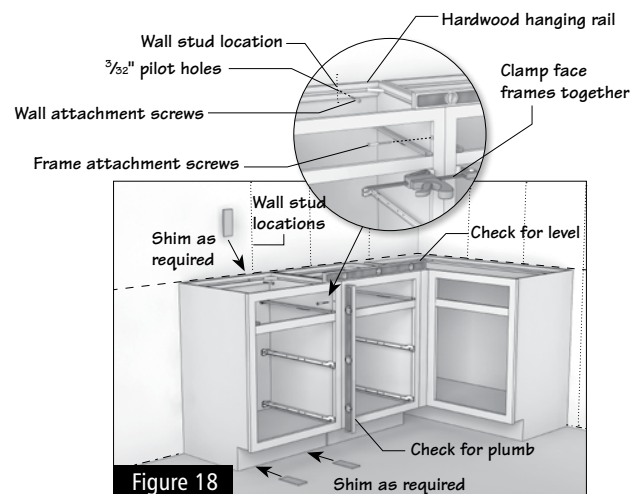


Figure 18

- 6.9** The final step is adding fillers between the last cabinet and the wall. Reference the layout provided by your designer for location and dimension.

## Step 7

# Install Moldings (if applicable)

- 7.1** Trim molding is used to trim out cabinetry where cabinets meet an adjacent wall, soffit or ceiling. Carefully measure and cut to proper length. Use small finish nails or a pin nailer to attach where cabinet and wall meet. (Figure 19)

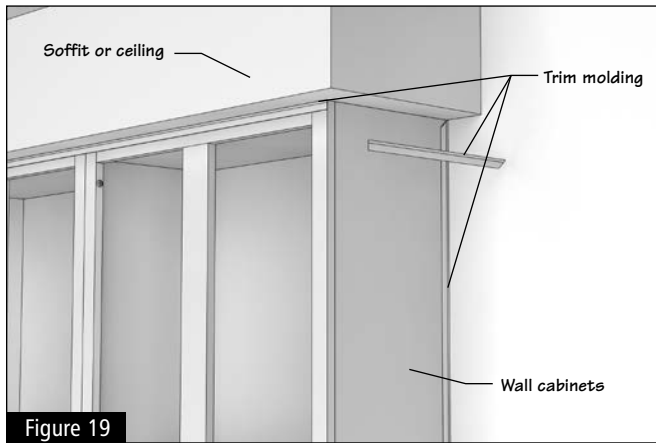


Figure 19

- 7.2** Crown moldings mount along the top edge of the cabinets. If your cabinets are full overlay, you may need to install some blocking material to the top of the cabinet first. (Figure 20)

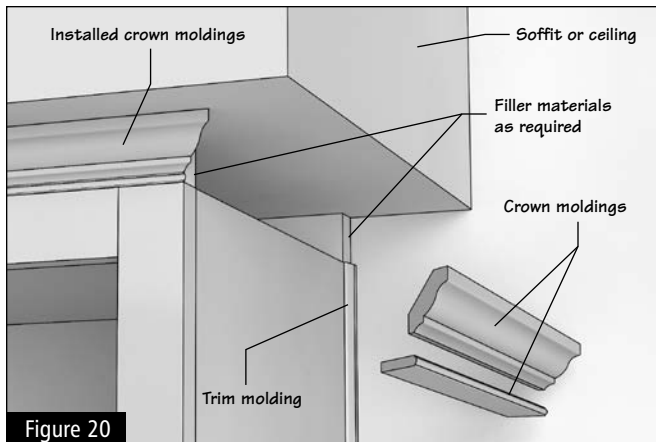


Figure 20

- 7.3** When moldings meet at an angle, you will need to use a miter box for a proper cut. Once moldings are cut to fit, use small finish nails or a pin nailer to attach the molding to the face frame of the cabinet.

- 7.4** When trimming molding, keep in mind that the proper position for the molding in the miter box is upside down with the bottom edge resting against the fence. (Figure 21)

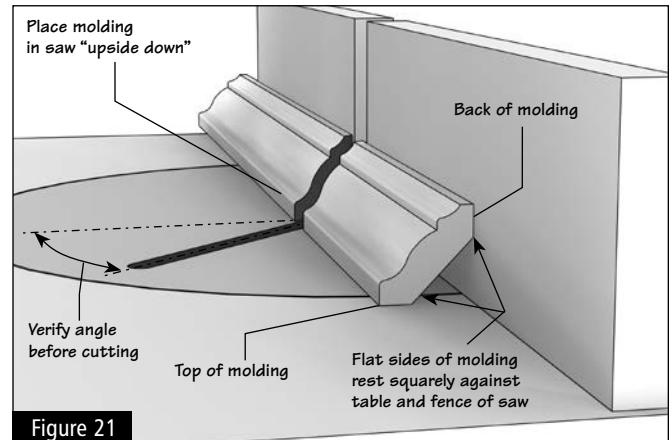


Figure 21

**NOTE: ALWAYS USE A MITER BOX FOR ACCURATE MOLDING CUTS AND DOUBLE CHECK THE ANGLE REQUIRED BEFORE CUTTING. SEE DIAGRAMS C–G ON PAGES 11-12 FOR A HANDY GUIDE.**

### MOLDING CUTS

**90° ANGLES: CUT MOLDING AT 45° ANGLE**

**135° ANGLES: CUT MOLDING AT 22.5° ANGLE**

**158° ANGLES: CUT MOLDING AT AN 11° ANGLE**

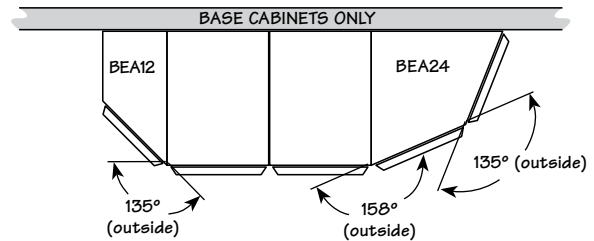


DIAGRAM C

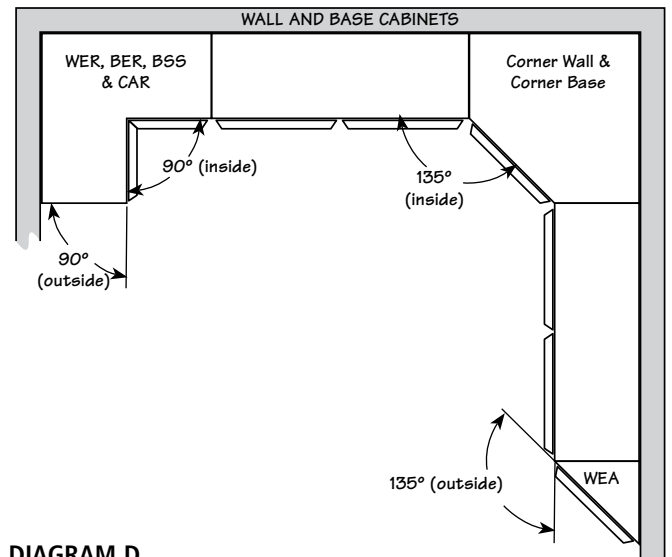
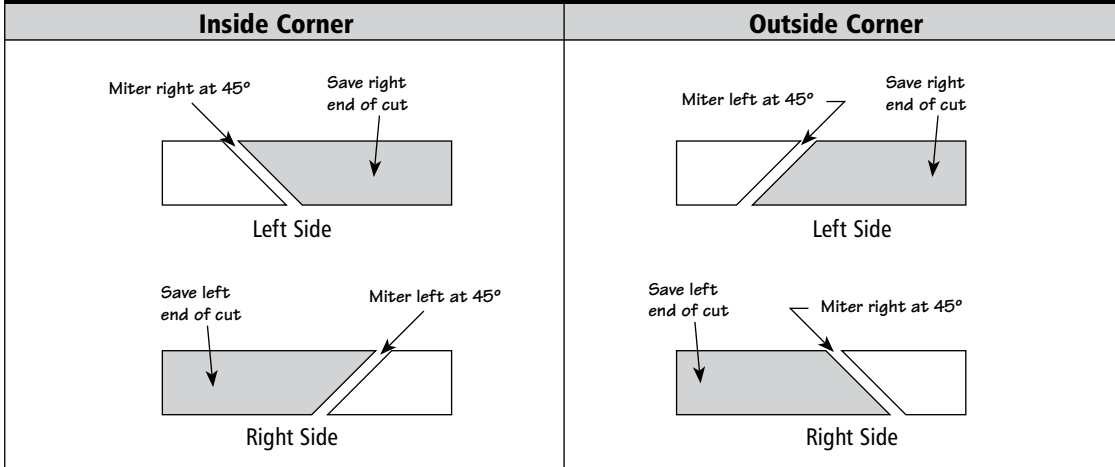
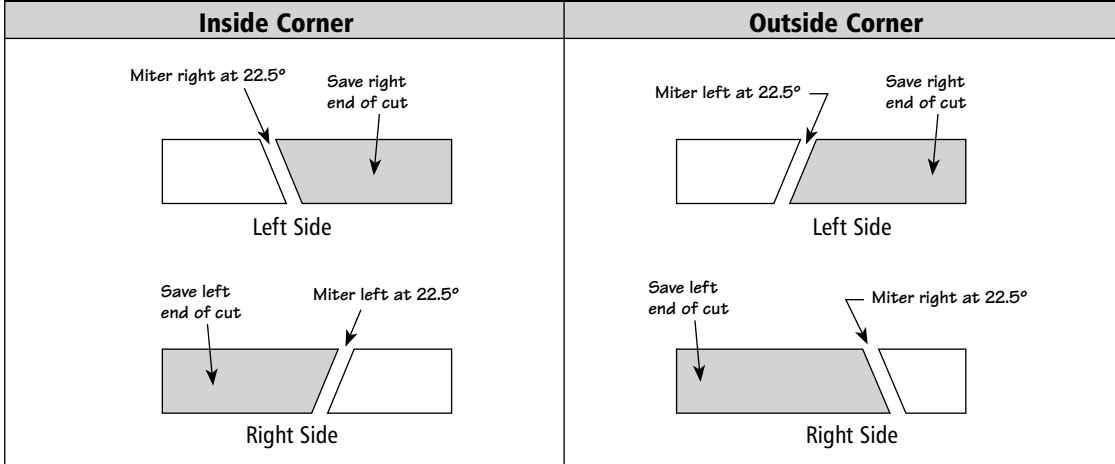


DIAGRAM D

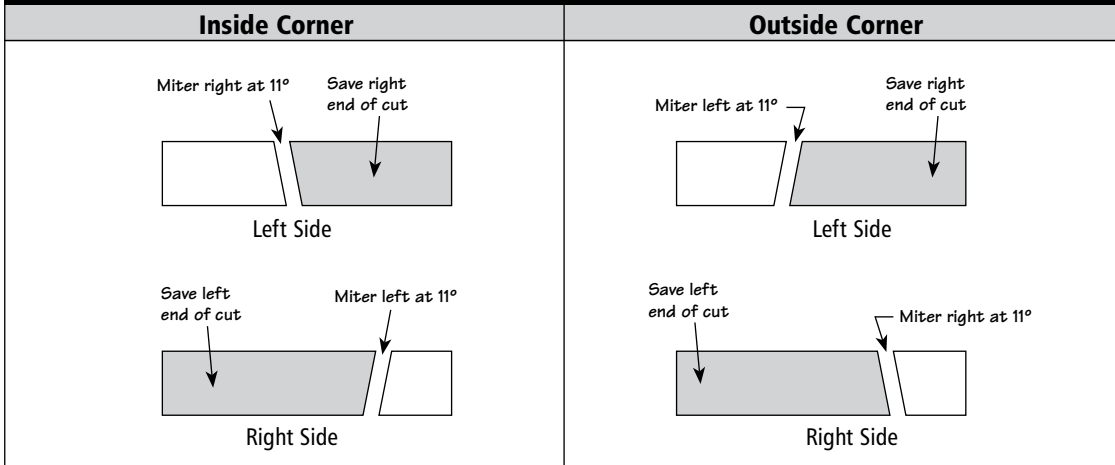
**DIAGRAM E: MITER CUTS FOR 90° ANGLES**



**DIAGRAM F: MITER CUTS FOR 135° ANGLES**



**DIAGRAM G: MITER CUTS FOR 158° ANGLES**



## Step 8 Final Assembly and Cleanup

**8.1** Once all cabinets are hung, leveled and screws are tightened, it is helpful to sweep out or vacuum any debris or sawdust.

**8.2** Install shelves by placing the shelf supports into the holes on both sides of the cabinet, push in completely and turn until the flat side rests upward and place the shelves into position. On wide cabinets, you will also need to insert a shelf rest on the back wall and front stile of the cabinet for added stability using the kit enclosed with the cabinet. (Figure 22)

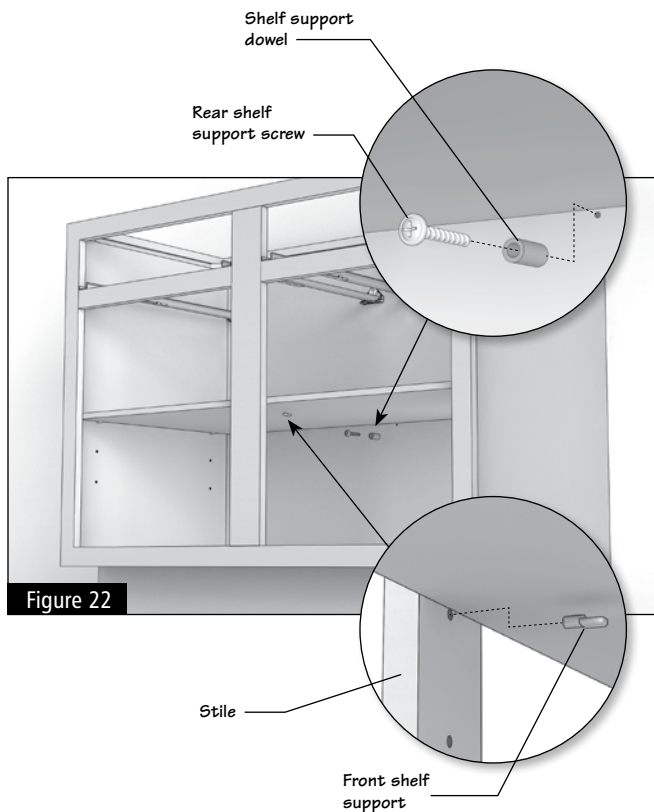


Figure 22

**8.3** Install any interior convenience kits, such as tray dividers, rolling shelves, wastebaskets, etc. See instructions with each kit.

**8.4** Install the toe kick overlay along the bottom of the base cabinets. Simply measure a continuous run of base cabinets and cut a piece of toe kick to that length and adhere with adhesive caulk and pin nails spaced about 24 inches apart.

**8.5** Reattach doors by replacing the screws through the hinges.

**8.6** Insert drawers into the glides. (See Appendix for drawer install technique if necessary.)

**8.7** Remove the wall support rail and fill the screw holes with spackling. The wall is now ready for your backsplash material.

# Door and Drawer Adjustments

## Door Hinge Adjustment

All hinges come pre-set from the factory. Occasionally, other adjustments are needed to straighten misaligned doors or doors that don't seem to sit flush. This is easily accomplished with a Phillips head screwdriver. The hinges on the back of the door have adjustment screws. With a little experimentation, you will see which screw moves the door the way you need it to go.

To adjust the higher door, simply open it and loosen the mounting screws that hold the hinges to the inside edge of the cabinet frame. There is a slot in the bracket so the door will slide down slightly. Retighten the hinges to the frame so that the door aligns with the other, checking with the level. (Figure 23)

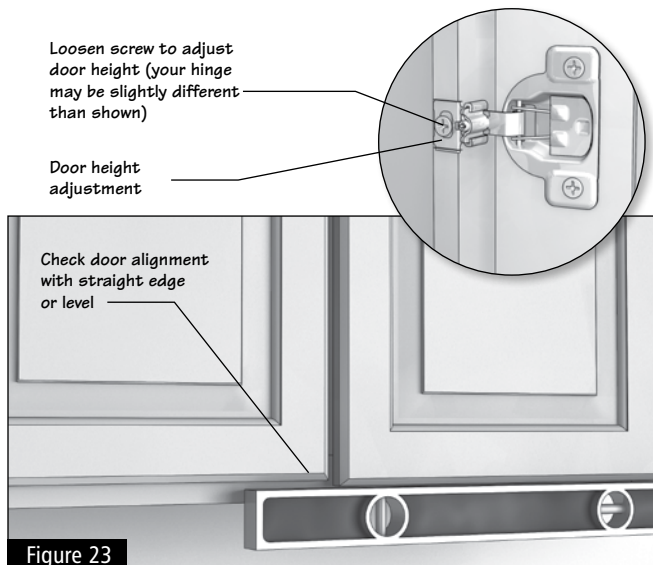


Figure 23

## Drawer Head Adjustment

Square up drawer front (if necessary). Check it visually and use a ruler to size up the differences. Then loosen one side by unscrewing the drawer front slightly. Use the ruler to help you determine how high to raise the lower side. Then, while holding the drawer front in place, tighten down the screws again. (Figure 24)

If your cabinets were ordered with one of two undermount glide options (Figure 25), the mounting brackets at the bottom front of the drawer box allows for additional drawer front adjustment. Identify the correct glide by matching the image to the clip. If your clip resembles Option A, use the roller to adjust the drawer front up or down. If your clips match Option B, pull the lever forward or backwards to adjust the drawer front.

Attach hardware after careful measuring. Use your drill to make pilot holes and install hardware with screws supplied. To prevent screw heads used for door hardware from scratching face frames, you may want to countersink screw heads so they can't strike the face frame.

**NOTE: JIG/TEMPLATES ARE USUALLY AVAILABLE WHERE HARDWARE IS SOLD, AND MAY BE USEFUL FOR ACCURATE HARDWARE INSTALLATION.**

Once all assembly and adjustments are done, carefully examine your cabinets for any scratches or nicks that may have occurred during the installation process. Follow the handy guide for touching up and cleaning your cabinets found in the Appendix on page 16.

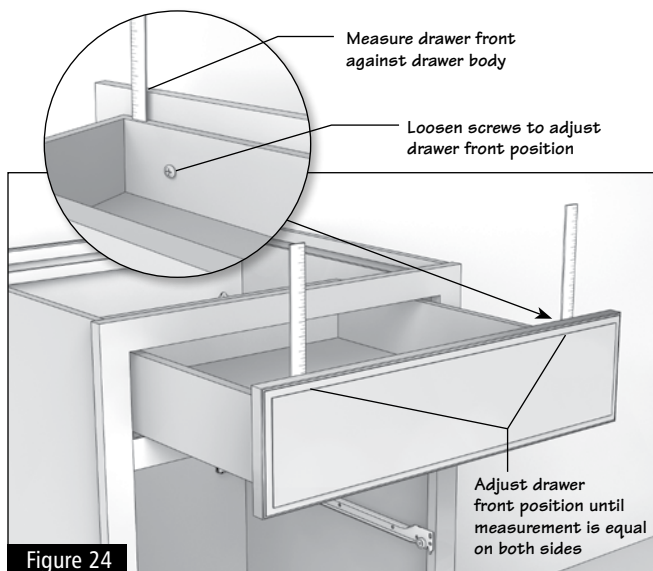


Figure 24

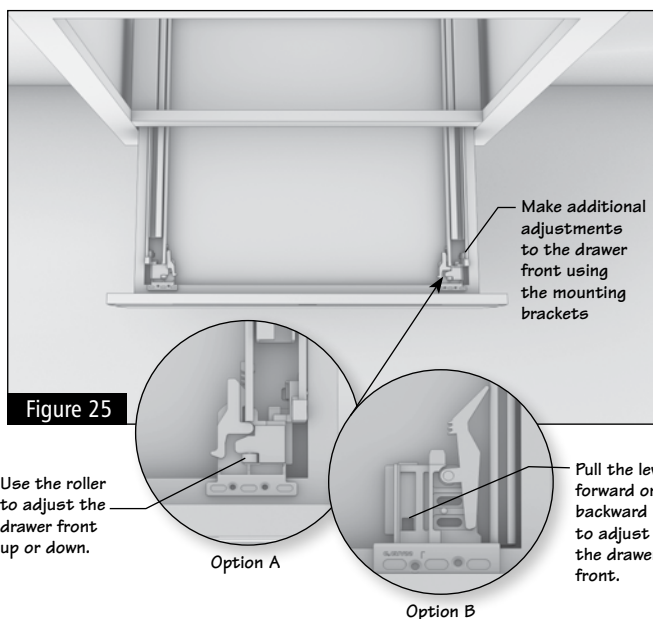


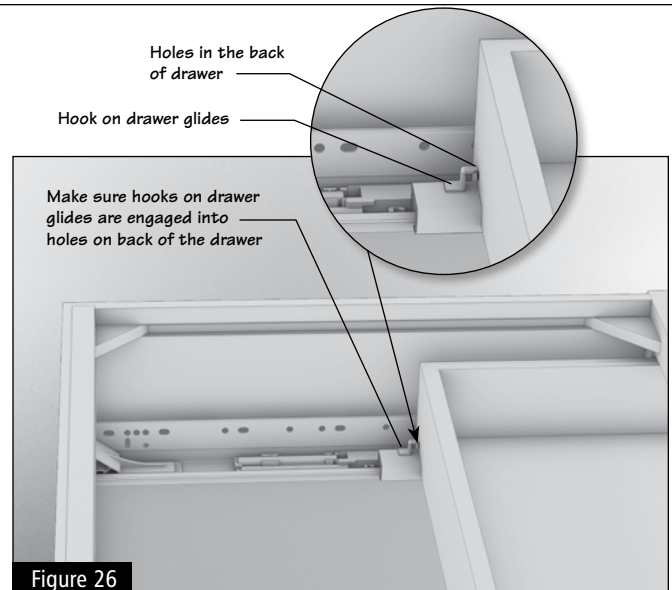
Figure 25

## Drawer Installation

To install drawers with Undermount Hidden Glides, extend each drawer glide completely. Place the drawer on top of the extended drawer glides. Slide the drawer squarely into cabinet on top of drawer glides until you begin to feel resistance.

Push drawer evenly with moderate pressure until you hear the clips snap into place. Pull drawer open to verify that both clips have snapped into place. If you find that a clip is not in place remove the drawer and repeat the installation procedure.

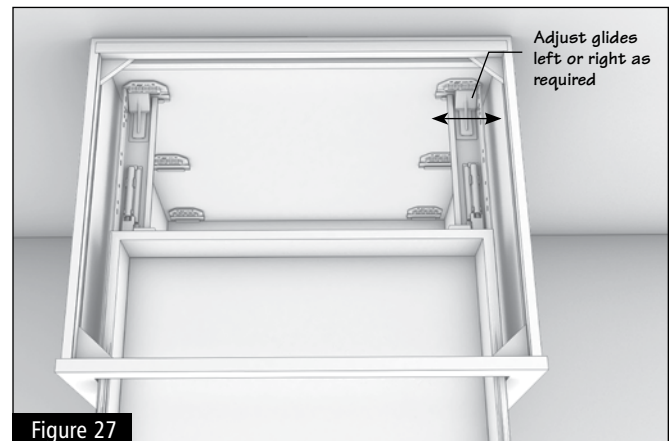
To install drawers with side-mounted drawer glides, place the drawer in the cabinet opening, aligning the rollers on the track. Push the drawer into the cabinet opening.



## Drawer Glide Adjustments

Cycle the drawer open and closed to ensure that it operates smoothly. If the drawer is not operating smoothly, be sure that hooks on both of the drawer glides are engaged into the holes in the back of the drawer. (Figure 26)

If the drawer still does not operate smoothly, open the drawer and take a closer look at the drawer glides mounted inside the cabinet. Slide the glides toward the center at the rear of the cabinet. Then slide the drawer all the way in. This is usually all it takes to correct the alignment and get a smoother glide. Adjust the back of the glides by removing the drawer and sliding the glide left or right if more adjustment is necessary. (Figure 27)

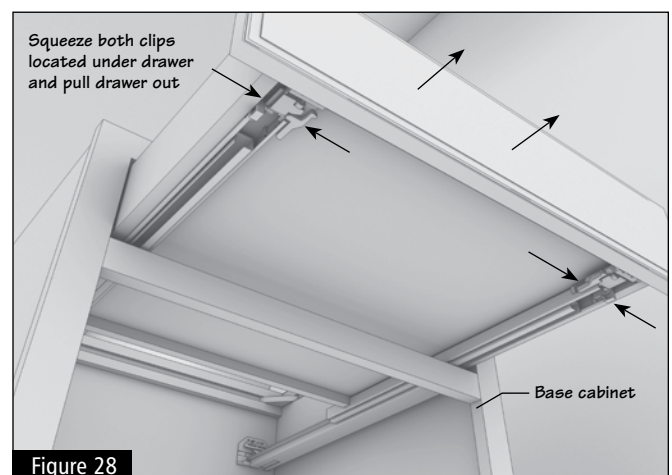


## Handy Pointers

### Drawer Removal

To remove drawers with Undermount Hidden Glides, locate the plastic clips on the bottom of the drawer. Grasp clips at the finger points provided. Using moderate pressure squeeze the handles on both sides, towards the outer edge of the drawer box. This pressure should be maintained during drawer removal. While continuing to squeeze the clips, pull the drawer straight out until it is removed completely. (Figure 29)

To remove drawers with side-mounted drawer glides, pull the drawer straight out until it stops. Then lift the front of the drawer slightly and gently pull forward until the glides release.



## Care and Cleaning

Our cabinets are extremely resistant to stains and surface damage that can be caused by common household chemicals. They exceed industry standards in resisting stains like coffee, grape juice and moisture—all common in any kitchen. But this doesn't mean that they are impervious to damage through neglect. With proper care, your cabinetry will provide years of use and beauty in your home.

Clean spills immediately. Use a clean cloth and mild soap if necessary. Wipe dry with a soft cloth. Do not use bleach, detergents, citrus or ammonia based cleaners, steel wool, soap pads or abrasive cleaners on your cabinets.

Periodically, remove dust from cabinets with a soft lint-free cloth. The cloth may be slightly dampened with water or a spray type dust remover. Wood and laminate cabinet surfaces may be polished once every few months with a high quality, non-oil based furniture polish. Do not use a paste wax type material. Wax build-up is difficult to remove and will leave a residue that attracts dust and moisture. Polishes containing silicone should not be used.



**NOTE: DO NOT USE DETERGENTS, AMMONIA-BASED CLEANERS, STEEL WOOL, SOAP PADS OR ABRASIVE CLEANERS ON YOUR CABINETS. DO NOT PLACE OR MOUNT SMALL APPLIANCES BENEATH YOUR WALL CABINETS. TOASTERS, COFFEE MAKERS AND OTHER SMALL APPLIANCES CAN PRODUCE EXCESSIVE HEAT CAUSING DAMAGE TO YOUR CABINETS.**

Extra care should be taken that cabinet finishes are not exposed to heat in excess of 200 degrees Fahrenheit (174 degrees for Thermofoil finishes).

**HEAT SHIELD KITS ARE AVAILABLE FOR THERMOFOIL STYLES TO DIRECT HEAT FROM OVENS AWAY FROM ADJACENT CABINETS.**

To touch up scratches and nicks that may occur during the installation process or during the life of your cabinets, use the stain touch-up marker and Fil-Stik included in the sink base. The touch-up marker and Fil-Stik are matched to the finish of your cabinetry and created especially for do-it-yourself repairs.

Use the touch-up marker on surface scratches, scuffs or rubbed edges. Simply shake the marker; remove cap and press down on the tip until the felt is wet. You may find it easier to test this on paper or cardboard first. Apply color touch-up with light strokes and use a cloth to immediately wipe off any excess. Allow to dry for several minutes.

The Fil-Stik is the tool of choice for chips, dents, deep scratches or open joints. Simply rub across the affected area until it is filled and wipe off the excess with a dry cloth. The touch-up Fil-Stik will fill small holes, chips, dents or open joints. Keep the Fil-Stik out of reach of children and pets.

These extra steps will ensure that your hard work looks its best and will help your cabinetry look great for years to come.

## Natural Variations

Let your wood cabinets age beautifully, and naturally. The wood used to make these cabinets is graded to meet industry standards. No two pieces of wood are exactly alike even if from the same tree. These differences in natural color and grain may cause each piece to respond differently to their environment. For example, closed-grain wood absorbs less finish and will vary in color from open-grained pieces. These variations contribute to the unparalleled beauty and distinction of natural wood.

Wood is an organic material. Therefore, you should expect variations in texture, color and wood grain.

Over time, exposure to sunlight, smoke and chemicals may cause some materials to fade from their original color. This change in

character occurs naturally and is not a defect. It may mean that cabinets added at a later date may not match the color of cabinets installed today. For the same reasons, door samples or displays may not represent the exact color of cabinets at the time of delivery to your home. American Woodmark's warranty does not cover these and other environmentally triggered occurrences, including humidity, which may result in warping or splitting.

While our wood finishing and laminates process promotes durability, care should be taken to preserve this finish by cleaning only with mild soaps. You should read all cleaning products' instructions carefully before application.



# American Woodmark



# Guía de instalación de gabinetes



**⚠ IMPORTANTE:** para reducir el riesgo de lesiones graves o fatales, lea y comprenda toda la guía antes de comenzar con el proceso de instalación.

# Gracias por invertir en gabinetes de calidad para su hogar.

Los gabinetes que ha comprado representan la mejor calidad de gabinetes para cocina, baño y habitaciones similares. Estos gabinetes se fabrican según los estándares de calidad más altos de la industria y cuentan con el respaldo de American Woodmark Corporation.

Información sobre la garantía: puede obtener una copia completa de la garantía en su tienda, en la fábrica o en la distribuidora, o bien visitar la página web [www.americanwoodmark.com/warranty](http://www.americanwoodmark.com/warranty).

## Advertencias generales de seguridad

### **⚠ ADVERTENCIA**

**PARA REDUCIR EL PELIGRO DE LESIONES GRAVES O FATALES, LEA Y SIGA TODAS LAS INSTRUCCIONES Y ADVERTENCIAS.**

**TOME PRECAUCIONES DE SEGURIDAD EN TODO MOMENTO. MANTENGA UN ESPACIO DE TRABAJO LIMPIO Y BIEN ORGANIZADO. USE GAFAS DE SEGURIDAD QUE CUMPLAN CON EL ESTÁNDAR ANSI Z87.1 Y TODO EL EQUIPO PROTECTOR QUE RECOMIENDAN LOS FABRICANTES DE LAS HERRAMIENTAS QUE USARÁ.**

**SOLO INSTALE LOS GABINETES EN EL CENTRO DE LAS VIGAS DE PARED SEGÚN LAS INSTRUCCIONES.**

**LA GUÍA DE INSTALACIÓN SIRVE PARA CONSTRUCCIONES ÚNICAMENTE DE VIGAS DE MADERA. SI DESEA COLOCAR GABINETES SOBRE OTRO MATERIAL, CONSULTE CON UN PROFESIONAL DE INSTALACIONES PARA INFORMARSE SOBRE LOS SUJETADORES ADECUADOS.**

**NO USE CLAVOS O TORNILLOS PARA PANELES DE YESO PARA INSTALAR GABINETES. SU USO PUEDE CAUSAR DAÑOS EN EL GABINETE O IMPEDIR QUE SE COLOQUE DE FORMA SEGURA Y ESTO PUEDE OCASIONAR LESIONES GRAVES O, INCLUSO, LA MUERTE.**

**EL REQUISITO PARA LAS INSTALACIONES DE TODOS LOS ELECTRODOMÉSTICOS ES SEGUIR LAS ESPECIFICACIONES DEL FABRICANTE DEL ELECTRODOMÉSTICO PARA TENER ESPACIO SUFICIENTE Y LOS MATERIALES DE INSTALACIÓN NECESARIOS.**

**AMERICAN WOODMARK NO REALIZA NINGUNA DECLARACIÓN DE COMPATIBILIDAD ENTRE NINGÚN ELECTRODOMÉSTICO Y PRODUCTO AWC.**

## Contenido

Advertencias generales de seguridad .....	2
Preparación .....	3
Preparación de paredes y pisos .....	3
Lista de materiales y herramientas sugeridos .....	4
Preparación de gabinetes para colocar en pared y esquinas .....	5
Instalación de un gabinete por vez .....	6
Instalación de relleno (si corresponde) .....	8
Instalación de paneles de extremos (si corresponde) .....	9
Instalación de gabinetes base .....	10
Instalación de molduras (si corresponde) .....	11
Ensamblaje final y limpieza .....	13
Ajuste de bisagra de puertas .....	14
Ajuste de la parte delantera de la gaveta .....	14
Instalación de la gaveta .....	15
Ajustes del riel deslizador de la gaveta .....	15
Retiro de la gaveta .....	15
Cuidado y limpieza .....	16

### INSTRUCCIONES DE INSTALACIÓN - EXENCIÓN DE RESPONSABILIDAD

Al utilizar estas instrucciones, acepta acatar las disposiciones del presente párrafo. Estas instrucciones son solo un método ilustrativo para instalar los gabinetes de American Woodmark Corporation (AWC). Las instrucciones de AWC no pretenden abordar todas las contingencias posibles que puedan surgir durante la instalación, ni tampoco endosan el uso de alguna herramienta en particular.

EXENCIÓN: AWC HA HECHO UN ESFUERZO DILIGENTE PARA ILUSTRAR Y DESCRIBIR LA INSTALACIÓN DE PRODUCTOS EN ESTA GUÍA DE FORMA CLARA Y PRECISA. SIN EMBARGO, DICHAS ILUSTRACIONES Y DESCRIPCIONES NO EXPRESAN NI CONFORMAN UNA GARANTÍA DE NINGÚN TIPO, YA QUE NO SE GARANTIZA, POR EJEMPLO, QUE EL COMPRADOR OBTENGA UN RESULTADO PARTICULAR, O QUE LOS PRODUCTOS O LAS INSTRUCCIONES SEAN DE CALIDAD COMERCIAL O QUE TENGAN UN PROPÓSITO PARTICULAR, O QUE LOS PRODUCTOS INSTALADOS QUEDEN COMO SE MUESTRA EN LAS INSTRUCCIONES O DESCRIPCIONES O TENGAN LAS MISMAS DIMENSIONES. ESTAS INSTRUCCIONES NO EXTIENDEN NI MODIFICAN LA GARANTÍA LIMITADA QUE SE INCLUYÓ CUANDO COMPRÓ LOS GABINETES, SI ES QUE SE INCLUYÓ ALGUNA. POR MEDIO DEL PRESENTE, AWC RECHAZA TODAS LAS GARANTÍAS Y RESPONSABILIDADES DE CUALQUIER RECLAMO POR LESIONES O MUERTE RELACIONADOS O BASADOS EN EL USO DE ESTAS INSTRUCCIONES DE INSTALACIÓN, A MENOS QUE LO ESPECIFIQUE AWC. AWC NO SE HACE RESPONSABLE DE IMPRECISIONES, OMISIONES O ERRORES TIPOGRÁFICOS EN ESTA GUÍA.

# Preparación

## Antes de comenzar

- 1** Revise el inventario para asegurarse de que haya recibido su pedido completo. Si faltan piezas o las que recibió no son las que pidió, comuníquese con el diseñador o con Servicio al Cliente.
- 2** AWC recomienda que la instalación de gabinetes se realice, al menos, entre dos personas.
- 3** Es importante que lea y comprenda toda la guía de instalación antes de comenzar la instalación.

## Precauciones de seguridad

### **⚠ PELIGRO**

**PARA REDUCIR EL RIESGO DE HERIDAS GRAVES O FATALES CAUSADAS POR FUEGO, EXPLOSIONES O DESCARGAS ELÉCTRICAS, CONTRATE A UNA EMPRESA DE SERVICIOS O A UN PROFESIONAL CALIFICADO PARA QUE REALICE EL TRABAJO.**

**PARA REDUCIR EL RIESGO DE DESCARGAS ELÉCTRICAS, EXPLOSIONES O LESIONES, DESCONECTE LAS CONEXIONES DE GAS, ELECTRICIDAD Y AGUA ANTES DE COMENZAR LA INSTALACIÓN. CORTE EL SUMINISTRO ELÉCTRICO A TODOS LOS ELECTRODOMÉSTICOS Y TOMACORRIENTES DE LA COCINA, INCLUIDAS LAS LUCES, DESDE LA CAJA DE FUSIBLES. USE UN PROBADOR DE CIRCUITO PARA ASEGURARSE DE QUE EL SUMINISTRO ELÉCTRICO SE HAYA CORTADO.**

Antes de evaluar la habitación, debe cortar el suministro de gas, agua y electricidad, cubrir los suministros de electricidad, para servicios de gas y plomería, y retirar el gabinete anterior y los zócalos. Preste especial atención a los pisos y las paredes. Use un nivelador o un borde recto para determinar protuberancias u otras imperfecciones. Marque todas las áreas protuberantes o elevadas. Es posible que deba acondicionar las paredes y los pisos si no están nivelados. (Muchas personas eligen volver a pintar las paredes y cambiar el piso una vez que la habitación está vacía). Cuanto más tiempo le dedique a acondicionar la habitación, más fácil será la instalación de gabinetes.

## Preparación de paredes y pisos

Reconocemos los efectos del paso del tiempo en los hogares y sabemos que no todo siempre está perfecto y nivelado. Pero existen maneras de resolver este problema durante la instalación de gabinetes. Estos son algunos pasos que lo ayudarán a comenzar.

- 1** Busque y marque todas las vigas con un detector de vigas. (Para verificar la posición de las vigas, introduzca un clavo para acabados en la pared en una parte que luego quedará cubierta por el gabinete).
- 2** Vuelva a verificar las medidas. Asegúrese de que el gabinete entre perfectamente en el espacio.
- 3** Reúna las herramientas que necesitará.

## Lista de materiales y herramientas sugeridos

- Gafas de seguridad que cumplan con la norma ANSI Z87.1
- Diseño realizado por el diseñador
- Escuadra
- Martillo
- Barra de palanca
- Destornillador de cabeza plana y destornillador Phillips
- Nivelador
- Cinta métrica
- Lápiz
- Borde recto
- Taladro
- Cable de extensión eléctrica adecuado
- Broca para taladro de 7/32 pulg. para taladrar los orificios del riel para colgar
- Broca para taladro de 3/32 pulg. para taladrar los orificios de prueba de instalación de marco y relleno
- Sierra de vaivén o sierra de mesa
- Caja de ingletes
- Pinzas o abrazaderas en C
- Detector de vigas
- Escalera de tijera de 1,80 m
- Calzas de madera
- Pistola de pasadores
- Clavos para acabados pequeños
- Listones para enrasar 1 x 2 o 1 x 3
- Trozo de madera (para apoyo o base en T de 1,40 m)
- Probador de circuito
- Tornillos de cabeza alomada #10 x 2 1/2 pulg. (para fijar el gabinete en la viga)
- Tornillos de cabeza estrecha #8 x 2 1/2 pulg. (para colocar el marco)

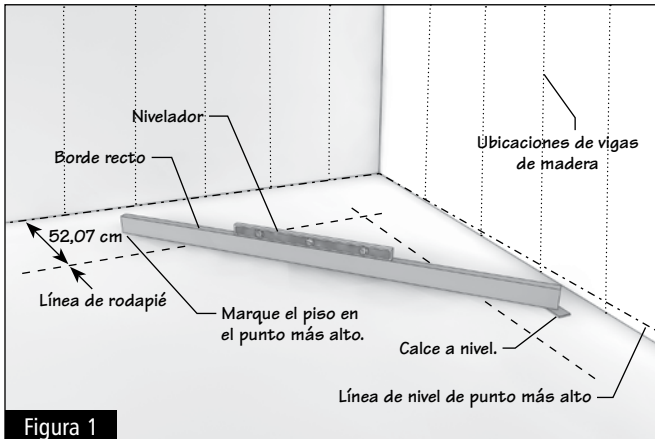
### **⚠ ADVERTENCIA**

**LA INSTALACIÓN INCORRECTA DE LOS GABINETES PUEDE OCASIONAR LESIONES GRAVES O LA MUERTE. LOS TORNILLOS QUE SE RECOMIENDAN SON PARA USAR EN INSTALACIONES EN PANEL DE YESO Y CONSTRUCCIONES CON VIGAS DE MADERA, NO PARA CONSTRUCCIONES DE CONCRETO O LADRILLO. SI DESEA COLOCAR GABINETES SOBRE OTRO MATERIAL, CONSULTE CON UN PROFESIONAL DE INSTALACIONES PARA INFORMARSE SOBRE LOS SUJETADORES ADECUADOS.**

# Paso 1 Medidas

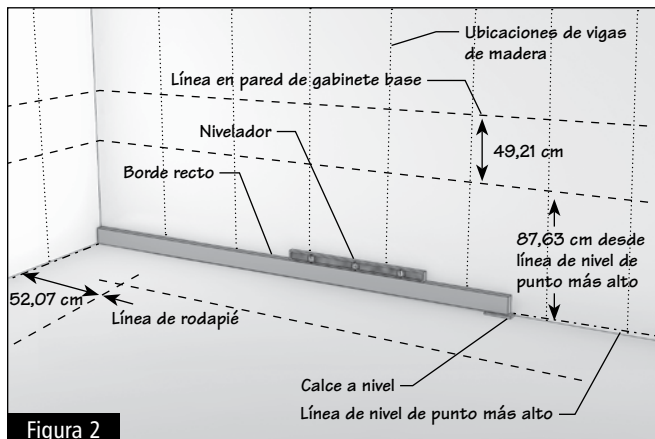
Para que los gabinetes funcionen correctamente, se deben instalar en línea vertical, al ras y al mismo nivel entre ellos. Esto se puede lograr fácilmente diseñando un plano por adelantado.

- 1.1** Primero, debe marcar el punto más alto del piso. Para ello, debe colocar el nivelador en la base de la pared y marcar la pared hasta que encuentre el punto más alto del piso. Marque este punto. (Figura 1)

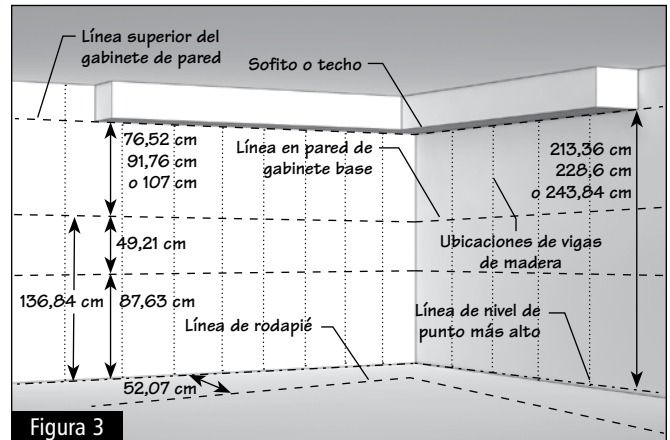


- 1.2** Realice la medida desde el punto alto 87,63 cm y dibuje una línea de nivel en la pared para marcar la parte superior de los gabinetes base. Si instala gabinetes antes de colocar pisos, asegúrese de dejar espacio para el grosor del material que desea usar. (Figura 2)

- 1.3** Luego mida desde ahí 48,26 cm. Esta será la línea base para los gabinetes de pared. (Cuando haya terminado, los gabinetes de pared quedarán a una altura de 136,84 cm por encima del punto más alto del piso). (Figura 2) Consulte las elevaciones del diseño para verificar las dimensiones específicas de su diseño.

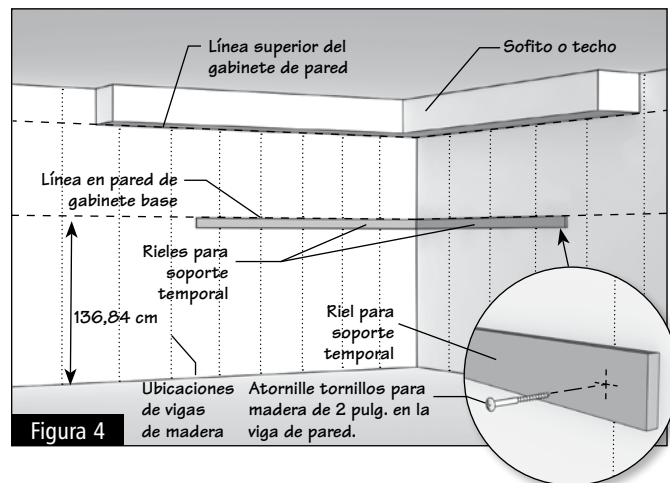


- 1.4** Luego, desde la línea base en pared del gabinete, mida la misma distancia que la altura de los gabinetes (76,52 cm, 91,76 cm, 99,38 cm, 107 cm). Esta será la línea superior para los gabinetes de pared. Todos los gabinetes de pared que no tengan una altura estándar deben colocarse en línea con esta medida. (Figura 3)



**NOTA: SI TIENE UN TECHO BAJO O SOFITO, ASEGÚRESE DE QUE LOS GABINETES DE PARED ENCAJEN A LA PERFECCIÓN ENTRE LA LÍNEA BASE Y LA LÍNEA SUPERIOR.**

- 1.5** Con los listones para enrasar 1 x 2 o 1 x 3, atornille un riel de soporte en las vigas con tornillos para madera de 2 pulg. por debajo de la línea base que ha dibujado para los gabinetes de madera. Esto proporcionará soporte para los gabinetes de madera y un lugar de apoyo mientras los instala. Asegúrese de que el riel de soporte (en ocasiones, llamado listón o larguero) esté nivelado. (Figura 4)



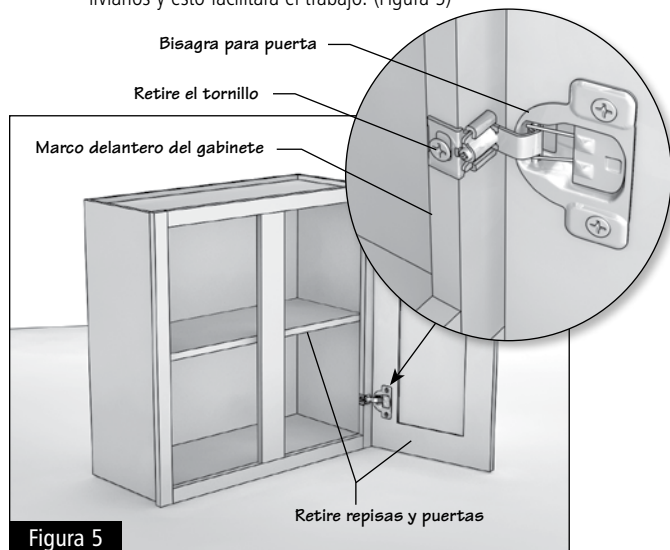
- 1.6** Ya puede unir los gabinetes de pared.

## Paso 2

# Preparación de gabinetes para colocar en pared y esquinas

Se recomienda que instale los gabinetes de montaje de pared primero para que los gabinetes base no sean un estorbo mientras trabaja. En primer lugar, es recomendable que ubique los gabinetes en el piso en el lugar que los colocará y estén nivelados y al ras y los una antes de colocarlos.

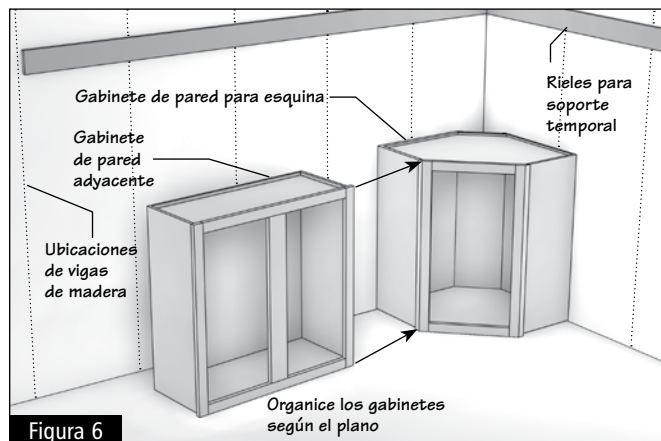
- 2.1** Retire todas las repisas y puertas. Es recomendable que las marque (o las apile según su posición o lugar) para poder volver a colocarlas fácilmente. Al retirar las repisas y puertas, los gabinetes quedarán más livianos y esto facilitará el trabajo. (Figura 5)



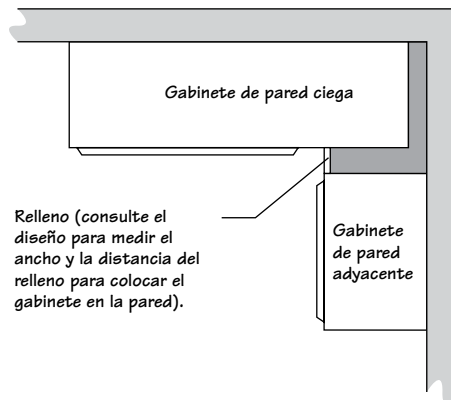
- 2.2** Consulte el diseño que le entregó el diseñador que contrató y comience con el gabinete de la esquina (si lo hay) y colóquelo en el piso antes de instalarlo en la pared.

**NOTA: CUANDO INSTALE UN GABINETE DE PARED CIEGA, ASEGÚRESE DE QUE EL GABINETE SE COLOQUE EN LA ESQUINA A UNA DISTANCIA ADECUADA PARA SU PLANO DE COCINA. NO SE OLVIDE DE USAR UN RELLENO PARA PERMITIR LA APERTURA DE BISAGRAS.**

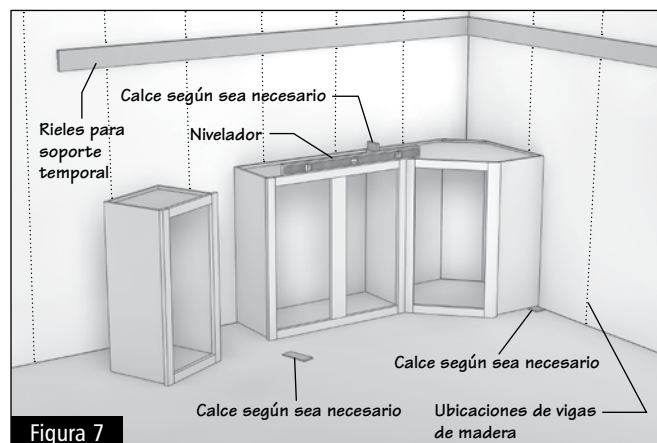
- 2.3** De a uno, alinee en el piso los gabinetes y rellenos en posición según el plano del diseñador. (Figura 6)



**NOTA: UN GABINETE DE PARED CIEGA TRANSFORMA EL ESPACIO VACÍO DE LA ESQUINA EN ESPACIO DE ALMACENAMIENTO. LA PUERTA ESTÁ PRECOLOCADA EN EL LADO IZQUIERDO, PERO SE PUEDE COLOCAR EN EL LADO DERECHO SEGÚN EL DISEÑO QUE USTED TENGA (VEA DIAGRAMA A).**



- 2.4** Con un nivelador, asegúrese de que cada gabinete esté liberado y que cada marco delantero (parte delantera del gabinete) esté al ras respecto del gabinete adyacente. Como método provisional, puede usar una barra de palanca y láminas de metal para nivelar las medidas. (Figura 7)



**NOTA: ES MUY IMPORTANTE QUE INSTALE EL PRIMER GABINETE AL RAS Y NIVELADO, DE LADO A LADO Y DE PROFUNDIDAD, PORQUE CADA GABINETE QUE SE COLOQUE DESPUÉS DEBERÁ ESTAR ALINEADO CON ESTE.**

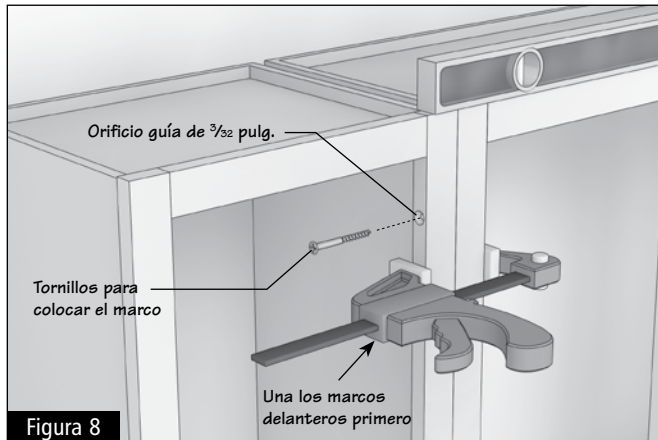
**NOTA: UBIQUE LOS GABINETES ALTOS PARA DIMENSIONAR EL ESPACIO, PERO NO LOS INSTALE.**

Continuación

## ⚠ ADVERTENCIA

**PARA AFIRMAR LOS GABINETES DE PARED CON UN ANCHO MAYOR DE 38,1 CM Y REDUCIR EL RIESGO DE CAÍDA DE GABINETES Y ASÍ EVITAR LESIONES GRAVES, USE AL MENOS 4 TORNILLOS DE INSTALACIÓN Y ASEGÚRESE DE QUE SE ATORNILLEN EN LAS VIGAS CON 2,54 CM DE PROFUNDIDAD.**

**2.5** Si desea colocar dos gabinetes, deberá unirlos antes. Luego perforo tres orificios de  $\frac{3}{32}$  pulg. en el lado de la bisagra del marco para asegurar que los orificios no impidan la colocación de la bisagra. Por último, coloque los tornillos de cabeza de estrecha #8 x  $2\frac{1}{2}$  pulg. en el marco para unir los dos gabinetes. (Figura 8)

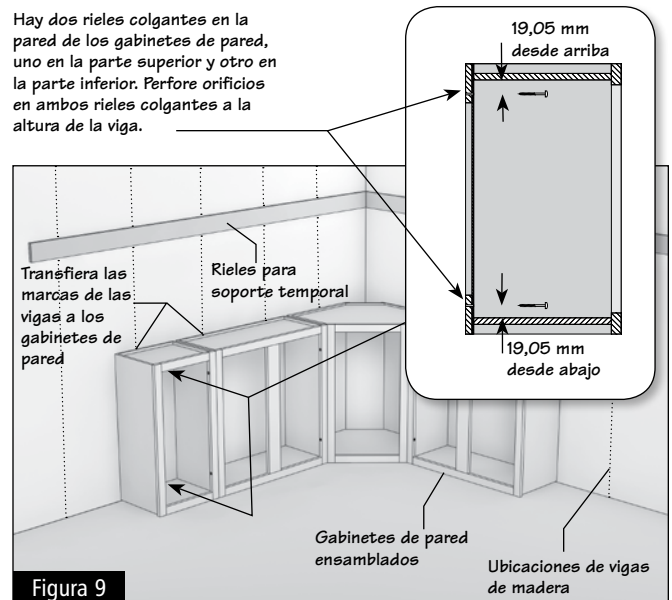


**2.6** IMPORTANTE: asegúrese de que los marcos estén en líneas verticales y rectas.

**2.7** Continúe con el resto de los gabinetes y rellenos siguiendo el diseño que le entregó el diseñador.

**2.8** Una vez que todos los gabinetes estén prearmados en el piso, mida la pared desde la esquina hasta la marca de la primera viga y transfiera las medidas a la parte interior del gabinete que instalará. Repita este paso en cada esquina y cada viga. Luego, perforo orificios de  $\frac{7}{32}$  pulg. para montar el gabinete desde los rieles superiores hasta los inferiores del gabinetes a una distancia de 1,90 cm desde abajo y 1,90 cm desde arriba. (Figura 9)

Hay dos rieles colgantes en la pared de los gabinetes de pared, uno en la parte superior y otro en la parte inferior. Perfore orificios en ambos rieles colgantes a la altura de la viga.



**2.9** Los rellenos también se deben pretaladrar y atornillar en posición. Consulte el Paso 4: instalación de rellenos para obtener más información sobre medidas, cortes y rellenos de instalación.

## Paso 3 Gabinetes suspendidos de pared

**3.1** Vuelva a verificar el nivel y la verticalidad de los gabinetes preensamblados y luego desármelos antes de instalarlos.

## ⚠ ADVERTENCIA

**PARA REDUCIR EL RIESGO DE LESIONES GRAVES O FATALES, RETIRE TODOS LOS TORNILLOS Y DESARME LOS GABINETES DE PARED ANTES DE COMENZAR CON EL PROCESO DE INSTALACIÓN.**

**LOS GABINETES PUEDEN SER DEMASIADO PESADOS PARA QUE LOS LEVANTE UNA SOLA PERSONA.**

**LA GUÍA DE INSTALACIÓN SIRVE PARA CONSTRUCCIONES ÚNICAMENTE DE VIGAS DE MADERA. SI DESEA COLOCAR GABINETES SOBRE OTRO MATERIAL, CONSULTE CON UN PROFESIONAL DE INSTALACIONES PARA INFORMARSE SOBRE LOS SUJETADORES ADECUADOS.**

**NO USE CLAVOS PARA PAREDES DE YESO PARA INSTALAR GABINETES. SU USO PUEDE CAUSAR DAÑOS EN EL GABINETE O IMPEDIR QUE SE COLOQUE DE FORMA SEGURA Y ESTO PUEDE OCASIONAR HERIDAS GRAVES O, INCLUSO, LA MUERTE.**

**AJUSTAR RIELES EN UNA PARED TORCIDA SIN CALZAS PUEDE QUEBRAR LAS JUNTAS ENTRE LOS RIELES Y EL CUERPO DE LOS GABINETES, LO QUE OCASIONA QUE EL GABINETE SE CAIGA DE LA PARED Y OCASIONE LESIONES GRAVES.**

- 3.2** Comience con el gabinete esquinero. Con la ayuda de otra persona, levante el gabinete hasta la posición del riel de soporte y use un soporte en T o 2x4 en la parte delantera para colocar el gabinete en su lugar. Tenga en cuenta que quizá deba retirar de la esquina los gabinetes de esquina ciega como se muestra en el plano de la cocina. (Figura 10)

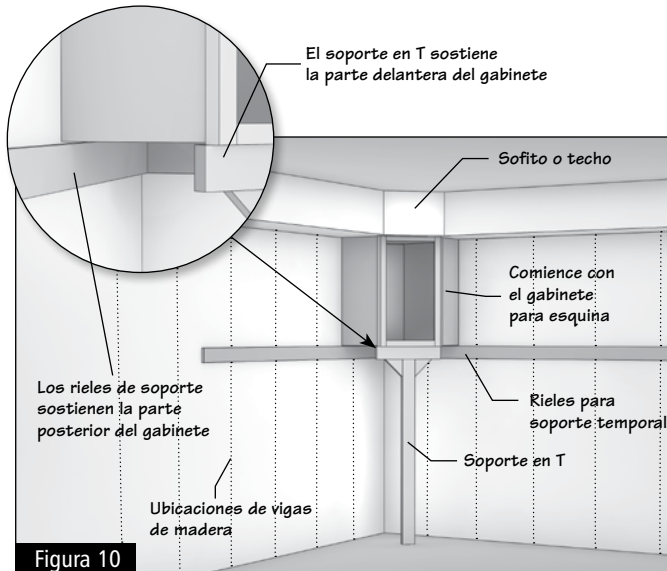


Figura 10

- 3.3** Ajuste el gabinete a la pared con tornillos #10 x 2½ pulg. de cabeza alomada. No ajuste los tornillos hasta el tope hasta que haya nivelado y colocado en su lugar los gabinetes.
- 3.4** Luego, con el nivelador en la parte delantera del gabinete, calce las medidas donde sea necesario para asegurarse de que los gabinetes estén perfectamente nivelados (aun cuando las paredes no lo estén). Tenga en cuenta que quizá deba aflojar los tornillos con la pared para poder calzar el gabinete de forma correcta.
- 3.5** Levante el gabinete adyacente en el riel y en el soporte. Con los orificios guía que creó durante el preensamblado en el piso, instale los dos gabinetes en los marcos delanteros y asegúrese de que estén al ras cuando estén atornillados. (Figura 11)

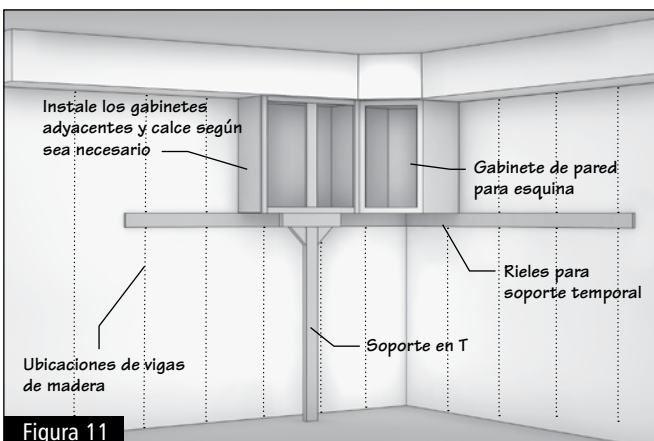


Figura 11

- 3.6** Una vez más, ajuste el gabinete a la pared con tornillos #10 x 2½ pulg. de cabeza alomada. No los ajuste completamente.
- 3.7** Si tiene un gabinete de esquina ciega, la abertura se debe sellar en esta instancia con un panel de 3,2 mm dentro del gabinete. Pretaladre el gabinete para insertar clavos pequeños para acabados o use una clavadora. (Figura 12)

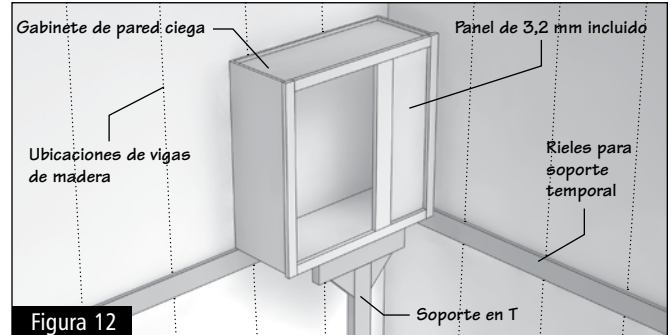


Figura 12

- 3.8** Continúe en toda la pared hasta que haya colocado todos los gabinetes. Si desea instalar un gabinete alto o gabinete para utensilios, este es el momento de instalarlo. Una vez más, calce las medidas para tener la altura correcta y alinear el gabinete para que esté completamente al ras del gabinete de pared adyacente. Una vez que los marcos delanteros estén al ras, sujételos, perfórelos y atorníllelos como se describió previamente.

**NOTA: A ESTA ALTURA DEL PROCEDIMIENTO, LE RECOMENDAMOS QUE COLOQUE EL GABINETE ALTO EN POSICIÓN PARA ASEGURARSE DE QUE QUEPA A LA PERFECCIÓN.**  
**NOTA: CONSULTE LAS INSTRUCCIONES ESPECÍFICAS DE GABINETES ALTOS ESPECIALES.**

- 3.9** Una vez que haya calzado y colocado los gabinetes, ajústelos por completo para asegurar los gabinetes en la pared.
- 3.10** Retire los rieles de soporte para pared y rellene con masilla los orificios de tornillo si es necesario.

## ⚠ ADVERTENCIA

**PARA EVITAR QUE LOS TORNILLOS TRASPASEN LA PARTE DELANTERA DEL GABINETE, NO AJUSTE DE MÁS LOS TORNILLOS NI DAÑE LA INTEGRIDAD DEL COLGANTE DERECHO.**

**PARA REDUCIR EL RIESGO DE LESIONES GRAVES O DAÑOS DE UN GABINETE SUELTO O QUE PUEDE CAERSE, LOS GABINETES DE PARED QUE TENGAN MÁS DE 30,48 CM DE PROFUNDIDAD Y 60,96 CM DE ALTURA NO DEBEN INSTALARSE O USARSE COMO GABINETES INDEPENDIENTES SIN TOMAR LAS PRECAUCIONES DEBIDAS PARA INSTALAR EL GABINETE EN LA PARED DE FORMA SEGURA. TAMBIÉN SE RECOMIENDA COLOCAR MONTAJES ADICIONALES EN EL TECHO, LA MAMPARA O UNA PARED LATERAL CUANDO SEA POSIBLE. CUANDO NO LO SEA, SE DEBE COLOCAR SOPORTE ADICIONAL POR DEBAJO O POR ENCIMA DEL GABINETE PARA SOPORTAR EL ESTO A UNA DISTANCIA DE AL MENOS 30,48 CM DE LA PARED. ESTO SE PUEDE HACER CON SOPORTES ANGULARES, ESTANTES O GABINETES ADICIONALES QUE FUNCIONEN COMO SOPORTE.**

## Paso 4 Instalación de relleno (si corresponde)

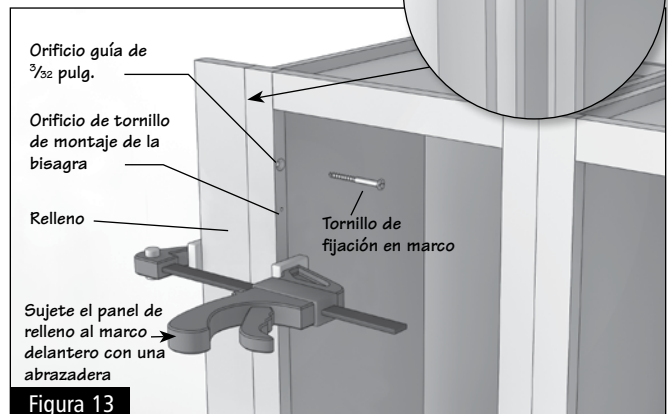
Es posible que deba colocar relleno cuando instale gabinetes. Los rellenos también permiten nivelar dimensiones desiguales entre los gabinetes y la pared. También permite que las puertas y gavetas se abran sin problemas para que funcionen correctamente cuando use un gabinete de esquina ciega. Los rellenos y las cenefas se deben recortar para que encajen en su lugar.

**4.1** Mida el área donde desea colocar relleno. Recorte el relleno con una sierra hasta alcanzar el ancho deseado.

**4.2** Sujete el relleno con una abrazadera y, una vez más, perforo un orificio guía en la lado de la bisagra del marco delantero y en el relleno.

**4.3** Atornille el relleno al gabinete con tornillos de cabeza estrecha para marcos #8 x 2½ pulg. (Figura 13)

Instale un respaldo para rellenos que sean más grandes que 7,62 cm para fijar el relleno en la pared.



**4.4** Si utiliza una base de esquina ciega, atornille el otro extremo del relleno por dentro del gabinete usando el mismo orificio guía y con la misma técnica de atornillado del marco.



## Paso 5

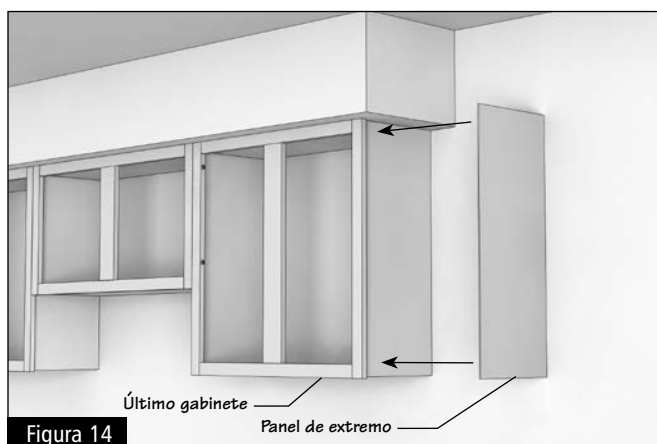
## Instalación de paneles de extremos (si corresponde)

### ⚠ ADVERTENCIA

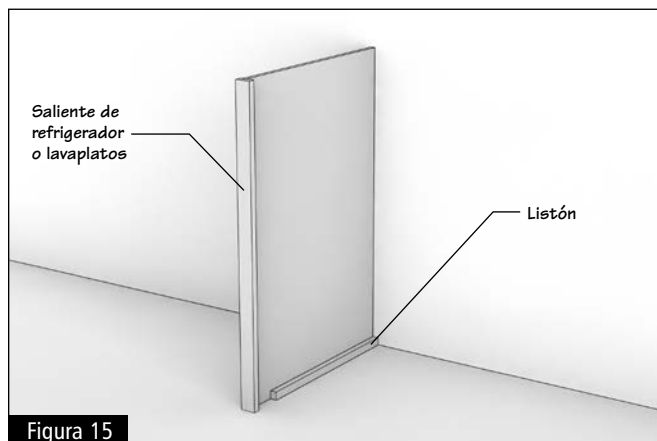
**PARA REDUCIR EL RIESGO DE MUERTE, LESIONES PERSONALES O DAÑOS A LA PROPIEDAD, EVITE EL CONTACTO CON LAS CONEXIONES DE GAS, ELECTRICIDAD Y AGUA. ESTAS CONEXIONES SE ENCUENTRAN EN LAS PAREDES Y DEBAJO DEL PISO.**

Los paneles de extremo se usan para finalizar una línea de gabinetes o para cubrir un electrodoméstico. Asegúrese de instalarlo al ras y nivelado.

- 5.1** Si su electrodoméstico usa un panel de extremo acabado, primero debe recortar el panel para que encaje en su lugar y luego unir el panel al lado del gabinete. Esto se puede realizar con adhesivo de contacto o con clavos para acabados de 1/2 pulg. (Figura 14)



- 5.2** Cuando instale un saliente de refrigerador o un lavaplatos, coloque un listón en el piso para fijar el panel. Solo debe cortar un tabla de madera de dimensiones de 1x2 a aproximadamente 50 cm de largo para que no quede expuesta en la parte delantera del panel. Luego fije el panel en el piso con 2 o 3 sujetadores (tornillos para concreto para pisos de concreto/tornillos para madera para pisos de madera). Sujete el listón contra el panel (DWR, RR, SFR, etc.) con 2-3 tornillos para madera. (Figura 15)



## Paso 6 Instalación de gabinetes base

La instalación de gabinetes base es muy similar a la instalación de gabinetes de pared que se mostró previamente. La idea es armar todos los gabinetes en posición para asegurarse de que todos los gabinetes estén nivelados, enderezados y al ras.

- 6.1** Retire todas las repisas, gavetas y puertas. Es recomendable que las marque (o las apile según su posición o lugar) para poder volver a colocarlas fácilmente. Al retirar las repisas y puertas, los gabinetes quedarán más livianos y esto facilitará el trabajo. (Vea el Anexo para aprender a retirar la gaveta si es necesario). (Figura 16)

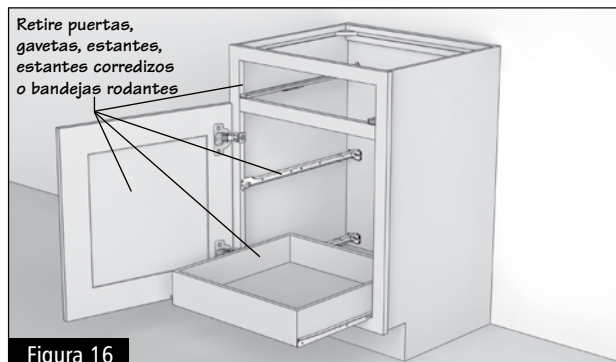


Figura 16

- 6.2** Comience con el gabinete de la esquina (si lo hay) y colóquelo en el piso antes de instalarlo en la pared. Cuando instale un gabinete base de pared ciega, asegúrese de que el gabinete se coloque en la esquina a una distancia adecuada para su plano de cocina. (Figura 17)

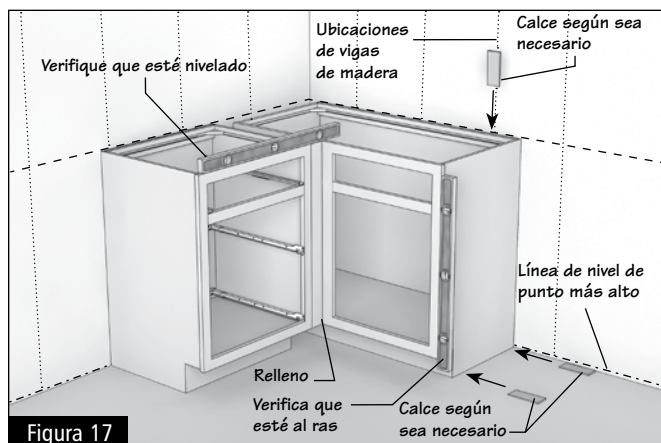
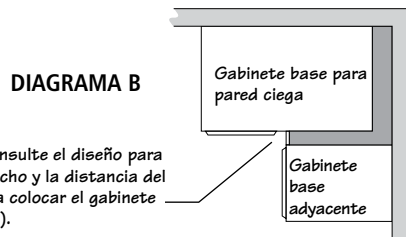


Figura 17

**NOTA: UN GABINETE BASE DE PARED CIEGA TRANSFORMA EL ESPACIO VACÍO DE LA ESQUINA EN ESPACIO DE ALMACENAMIENTO. LA PUERTA ESTÁ PRECOLOCADA EN EL LADO IZQUIERDO, PERO SE PUEDE COLOCAR EN EL LADO DERECHO SEGÚN EL DISEÑO QUE USTED TENGA (VEA DIAGRAMA B).**



- 6.3** Asegúrese de que el gabinete llegue a la línea de punto alto de 87,63 cm que dibujó en la pared. Si no lo hace, deberá recortar el gabinete para que alcance el nivel indicado. Si el gabinete se inclina hacia atrás, puede solucionarlo con recortes en el borde posterior. Si se inclina hacia adelante, use la barra de palanca en la parte delantera para ajustarla y luego recortarla.

- 6.4** Mida la pared desde la esquina hasta la marca de la primera viga y traspase las medidas a la parte interior del gabinete que instalará. Repita este paso en cada esquina y cada viga. Luego perfora orificio de montaje de  $\frac{7}{32}$  pulg. en el centro del riel colgante dentro del gabinete.

- 6.5** Ajuste el gabinete a la pared con tornillos #10 x 2½ pulg. de cabeza alomada.

- 6.6** Si tiene un gabinete de esquina ciega, selle la abertura con un panel de 3,2 mm dentro del gabinete, como se mostró en la sección de instalación de gabinete de pared.

- 6.7** A continuación, calce el gabinete adyacente en posición y verifique que esté nivelado y al ras. Una vez más, sujete con abrazaderas los marcos delanteros cuando estén al ras, perfora orificios guía y una los dos gabinetes con tornillos como se mostró previamente.

**NOTA: ES POSIBLE QUE DEBA RECORTAR RECUADROS PARA LAS CAJAS DE CONEXIONES ELÉCTRICAS Y DE AGUA. ASEGÚRESE DE REALIZAR LAS MEDIDAS Y MARCAS DE FORMA PRECISA. CORTE ORIFICIOS EN LA PARTE POSTERIOR DEL GABINETE ANTES DE INSTALARLO EN LA PARED.**

- 6.8** Repita este proceso hasta que todos los gabinetes estén instalados y asegúrese de que cada gabinete quede apoyado en la línea marcada en la pared y esté nivelado y al ras con respecto a los gabinetes adyacentes. Además, asegúrese de atornillar los gabinetes entre ellos en los marcos delanteros antes de atornillarlos a la pared. (Figura 18)

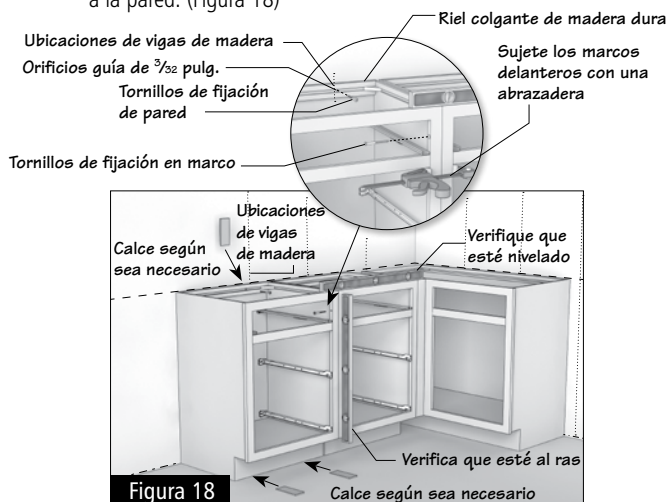


Figura 18

- 6.9** El último paso es agregar relleno entre el último gabinete y la pared. Consulte el diseño del diseñador para ver la ubicación y las dimensiones.

## Paso 7 Instalación de molduras (si corresponde)

- 7.1** Las molduras de reborde se usan para recortar los gabinetes cuando estén junto a una pared adyacente, un soffito o techo bajo. Mida y corte el gabinete con precaución en la longitud adecuada. Use clavos para acabados pequeños o una clavadora para unir el gabinete en la unión entre gabinete y pared. (Figura 19)

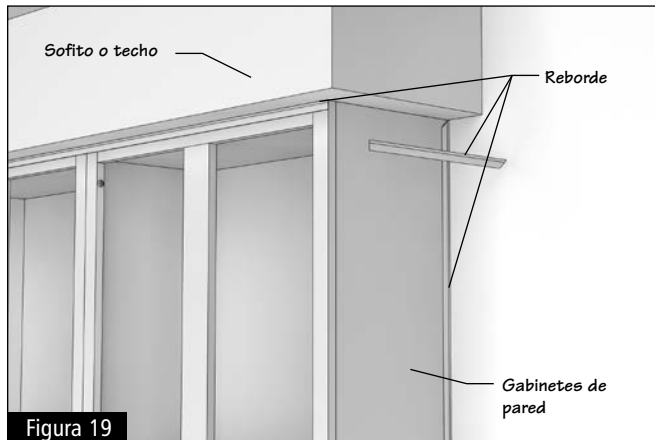


Figura 19

- 7.2** Coloque una moldura tipo corona en la parte superior de los gabinetes. Si los gabinetes quedan cubiertos por completo, quizá deba instalar material de relleno en la parte superior del gabinete primero. (Figura 20)

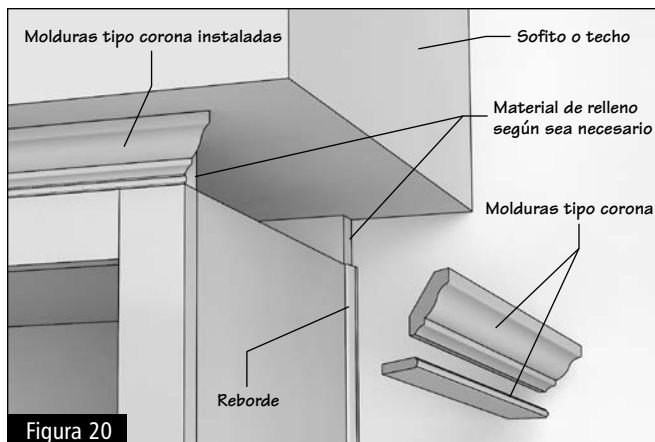


Figura 20

- 7.3** Cuando las molduras se unen en ángulo, deberá usar una caja de ingletes para realizar el corte correcto. Una vez que haya cortado las molduras, use clavos para acabados pequeños o una clavadora para unir las molduras con el marco delantero del gabinete.
- 7.4** Cuando recorte las molduras, recuerde que la posición correcta de la moldura en la caja de ingletes es boca abajo con el borde inferior contra la guía de la sierra. (Figura 21)

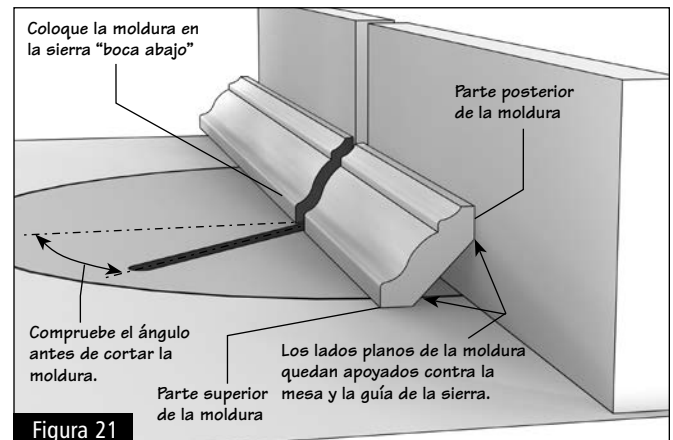


Figura 21

**NOTA: USE SIEMPRE UNA CAJA DE INGLETES PARA CORTAR LA MOLDURA CON PRECISIÓN Y VERIFIQUE EL ÁNGULO ANTES DE REALIZAR EL CORTE. VEA LOS DIAGRAMAS C-G EN LAS PÁGINAS 11-12 PARA OBTENER UNA GUÍA PRÁCTICA.**

### CORTES DE MOLDURA

- ÁNGULOS DE 90°: CORTE LA MOLDURA EN UN ÁNGULO DE 45°.  
 ÁNGULOS DE 135°: CORTE LA MOLDURA EN UN ÁNGULO DE 22,5°.  
 ÁNGULOS DE 158°: CORTE LA MOLDURA EN UN ÁNGULO DE 11°.

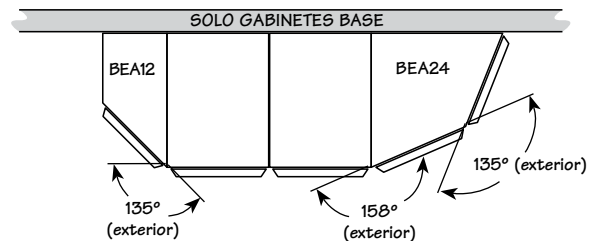


DIAGRAMA C

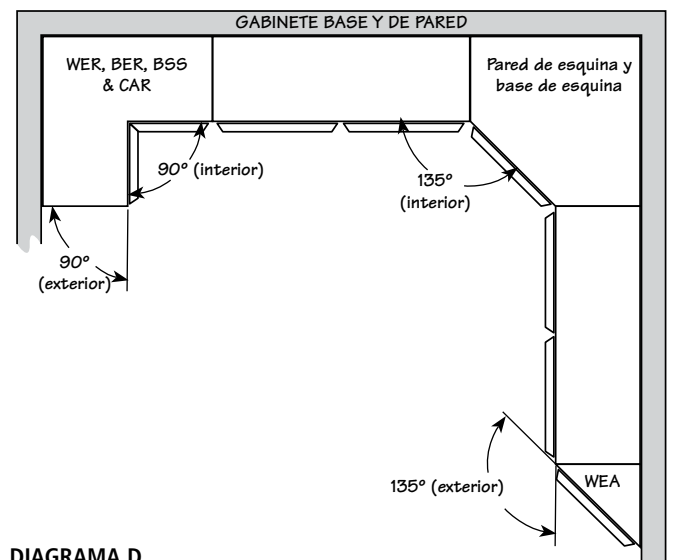
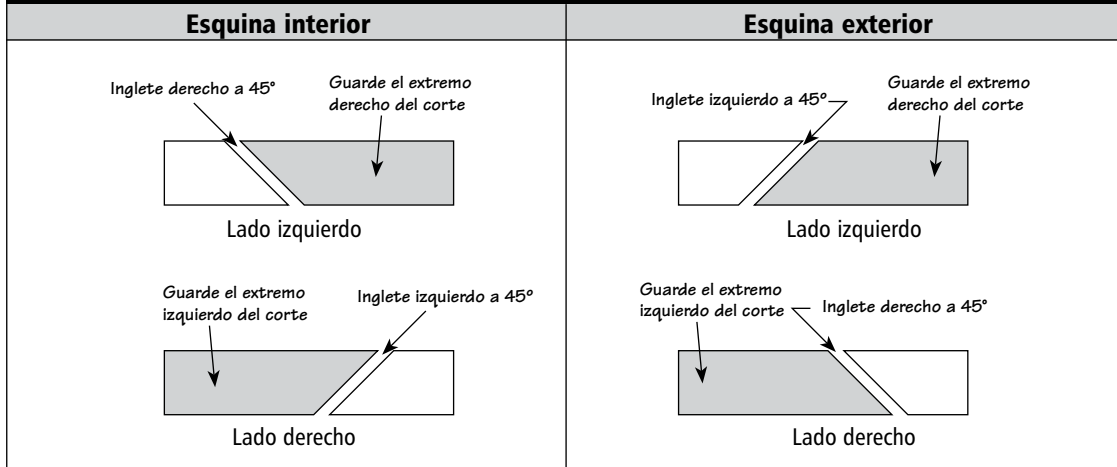
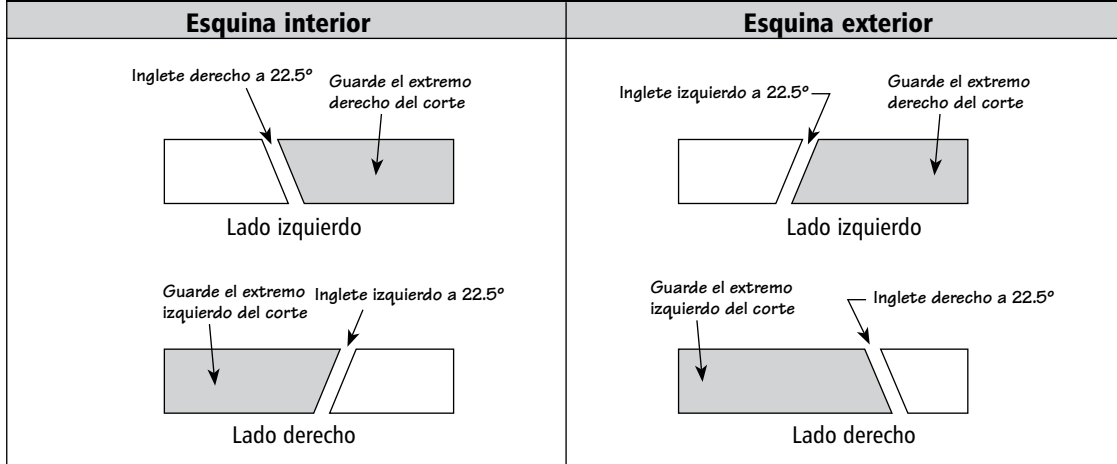


DIAGRAMA D

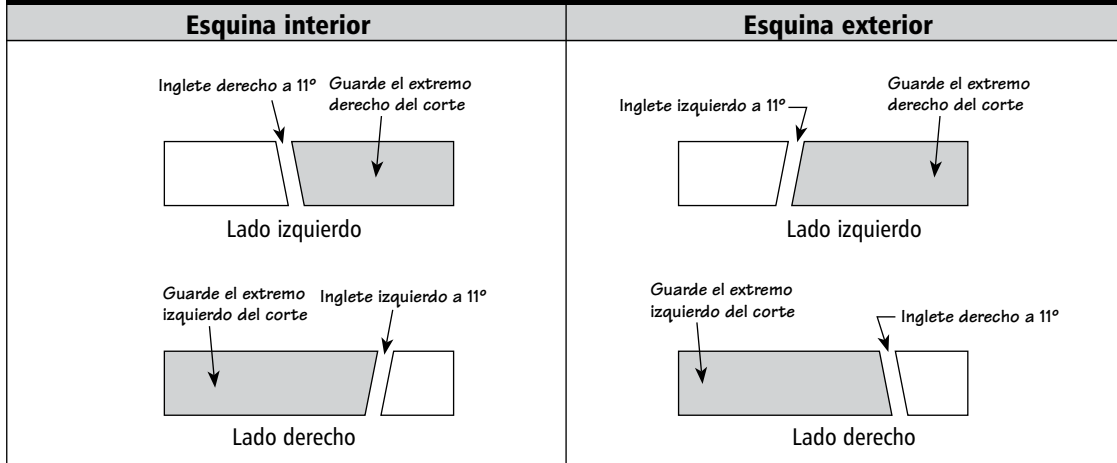
**DIAGRAMA E: CORTES DE INGLETE PARA ÁNGULOS DE 90°**



**DIAGRAMA F: CORTES DE INGLETE PARA ÁNGULOS DE 135°**



**DIAGRAMA G: CORTES DE INGLETE PARA ÁNGULOS DE 158°**

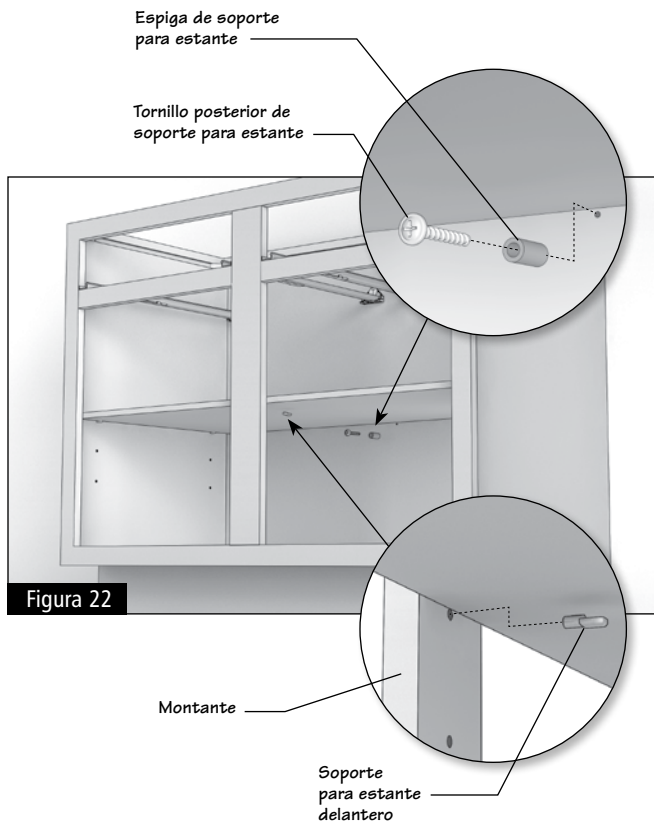


## Paso 8

## Ensamblaje final y limpieza

**8.1** Una vez que los gabinetes estén colocados, nivelados y los tornillos se hayan ajustado, es recomendable barrer o aspirar desechos o aserrín.

**8.2** Para instalar los estantes, coloque los soportes para estantes en los orificios en ambos lados del gabinete, empuje hasta el fondo y gire los soportes hasta que la parte plana quede para arriba. Coloque los estantes en su lugar. En los gabinetes amplios, también deberá insertar un respaldo para estantes en la pared posterior y en el montante delantero del gabinete para aumentar la estabilidad con los elementos disponibles dentro del gabinete. (Figura 22)



**8.3** Instale todos los kits de servicio, como divisores de bandeja, estantes rodantes, cestos de basura, entre otros. Vea las instrucciones de cada kit.

**8.4** Instale la cobertura de rodapié en la parte inferior de los gabinetes base. Realice una medida continua de los gabinetes base y corte una parte del rodapié a esa altura y adhiérsela con masilla de calafateo adhesiva y clavos a una distancia de 35,56 cm.

**8.5** Vuelva a colocar las puertas colocando los tornillos en las bisagras.

**8.6** Coloque las gavetas en los rieles deslizadores. (Vea el Anexo para aprender a instalar la gaveta si es necesario).

**8.7** Retire el riel de soporte para pared y rellene los orificios de tornillos con pasta de masilla. Ya puede colocar el protector contra salpicadura en la pared.

# Ajustes de puertas y gavetas

## Ajuste de bisagra de puertas

Todas las bisagras vienen prearmadas de fábrica. En algunos casos, se necesitan realizar ajustes adicionales para corregir la posición de puertas desalineadas o de puertas que no cierran al ras. Para ello, solo debe usar un destornillador Phillips. Las bisagras de la parte posterior de la puerta tienen tornillos para ajustar la bisagra. Si inspecciona la bisagra, verá que los tornillos mueven la puerta en la dirección correcta.

Para ajustar la puerta más alta, solo debe abrirla y aflojar los tornillos de montaje que sostienen las bisagras en el borde interior del marco del gabinete. Verá una ranura en el soporte, por lo que la puerta se deslizará hacia abajo levemente. Vuelva a ajustar las bisagras al marco para que la puerta quede en línea con la otra. Use un nivelador para verificar la alineación. (Figura 23)

## Ajuste de la parte delantera de la gaveta

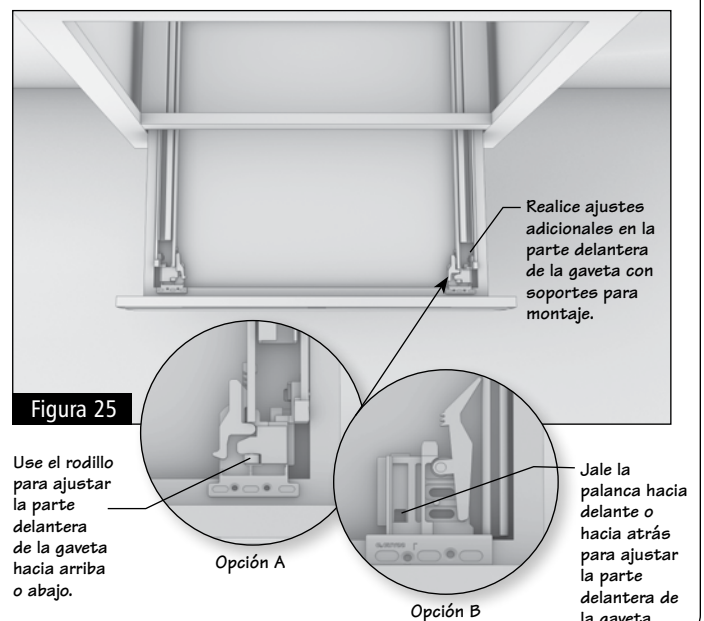
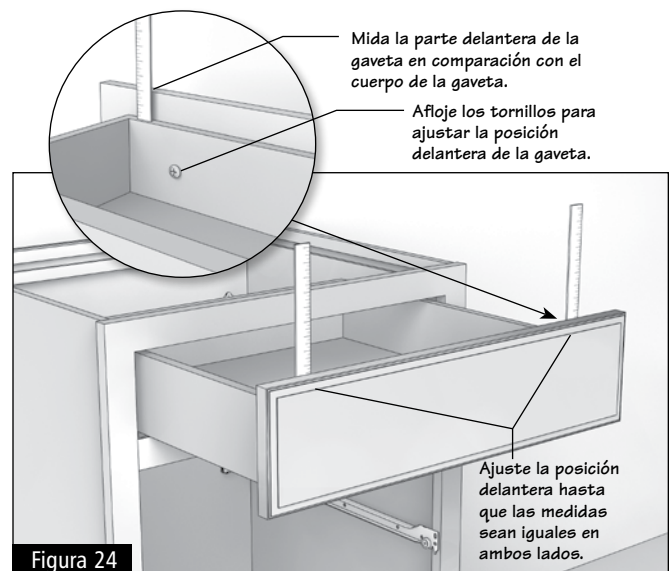
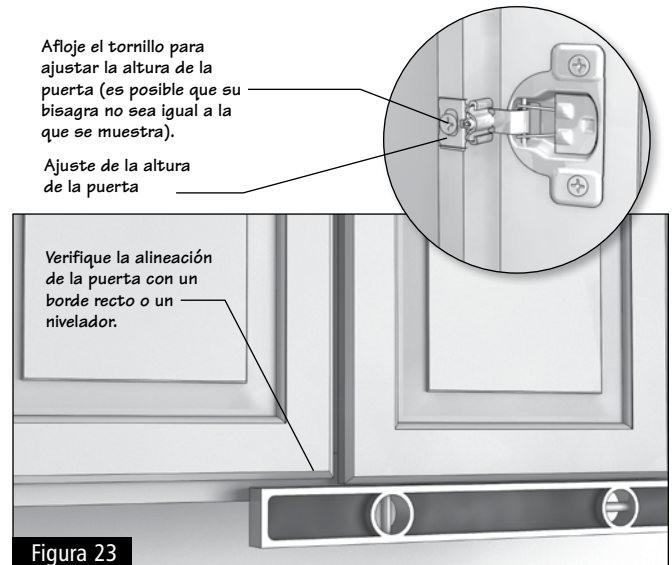
Enderece la parte delantera de la gaveta (si es necesario). Inspecciónela y use una regla para marcar las diferencias. Luego, desatornille un poco la parte delantera de la gaveta para aflojarla. Use la regla para determinar la altura a la que debe elevar el lado más bajo. Luego, mientras sostiene la parte delantera de la gaveta en su lugar, vuelva a ajustar los tornillos. (Figura 24)

Si compró gabinetes con una o dos opciones de rieles deslizadores de montaje inferior (Figura 25), los soportes de montaje de la parte inferior de la caja de la gaveta facilitan el ajuste de la parte delantera de la gaveta. Encuentre el deslizamiento correcto usando el sujetador como se muestra en la imagen. Si su sujetador es como el que se muestra en la Opción A, use el rodillo para ajustar la parte delantera de la gaveta hacia abajo y hacia arriba. Si su sujetador es como el que se muestra en la Opción B, jale la palanca hacia delante o hacia atrás para ajustar la parte delantera de la gaveta.

Coloque los aditamentos después de tomar las medidas correctas. Use el taladro para crear orificios guía e instale los aditamentos con los tornillos incluidos. Para evitar que las cabezas de los tornillos que se usan para ajustar los aditamentos para puertas dañen los marcos delanteros, es recomendable que las avellane para que no rayen los marcos.

**NOTA: LAS PLANTILLAS DE INSTALACIÓN SUELEN ESTAR DISPONIBLES EN LOS PUNTOS DE VENTA DE ADITAMENTOS Y PUEDEN SER ÚTILES PARA ASEGURAR LA INSTALACIÓN CORRECTA DE ADITAMENTOS.**

Una vez que haya colocado todos los ensamblajes y haya realizado todos los ajustes, busque en sus gabinetes rayones o marcas que puedan haberse ocasionado durante la instalación. Consulte la guía para retocar y limpiar los gabinetes en el Anexo en la página 16.

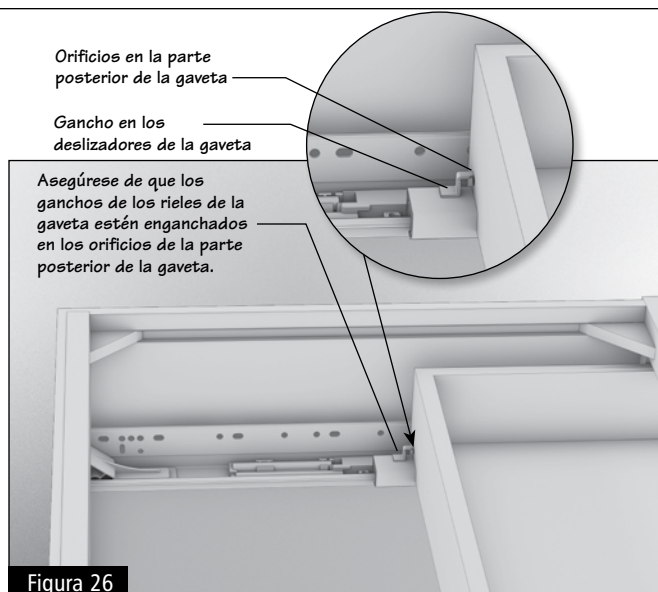


## Instalación de la gaveta

Para instalar gavetas con deslizadores ocultos de montaje inferior, extienda los rieles por completo. Coloque la gaveta por encima de los rieles extendidos de la gaveta. Deslice la gaveta de forma recta dentro del gabinete por encima de los rieles deslizadores de la gaveta hasta que sienta resistencia.

Inserte la gaveta de forma uniforme con presión moderada hasta que sienta que los sujetadores se cierran. Abra la gaveta para verificar que ambos sujetadores estén en su lugar. Si ve que esto no sucede, retire la gaveta y repita el procedimiento.

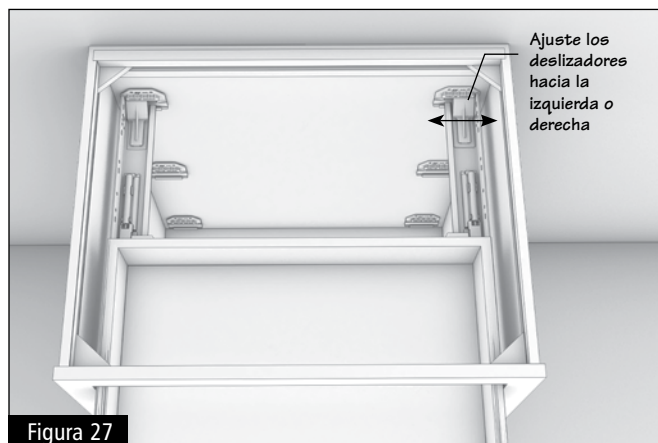
Para instalar gavetas con rieles deslizadores de montaje lateral, coloque la gaveta en la abertura del gabinete y alinee los rodillos en el riel. Empuje la gaveta en la abertura del gabinete.



## Ajustes del riel deslizador de la gaveta

Abra y cierre la gaveta para asegurarse de que funcione correctamente. Si no funciona bien, asegúrese de que los ganchos de ambos rieles de la gaveta estén enganchados en los orificios de la parte posterior de la gaveta. (Figura 26)

Si la gaveta sigue sin funcionar, abra la gaveta e inspeccione los rieles deslizadores montados dentro del gabinete. Deslice los rieles hacia el centro en la parte posterior del gabinete. Luego deslice y cierre toda la gaveta. Esto es lo único que debe hacer para corregir la alineación y asegurarse de que la gaveta se deslice correctamente. Para ajustar la parte posterior de los rieles, retire la gaveta y deslice la parte posterior de la gaveta hacia la izquierda o derecha si necesita seguir ajustándola. (Figura 27)

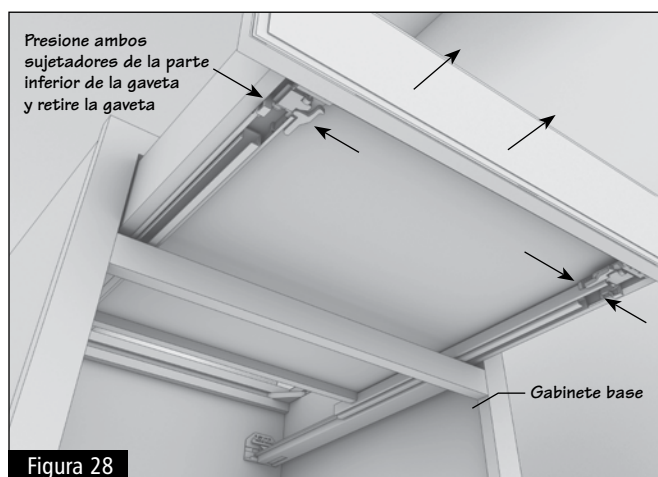


## Indicadores útiles

### Retiro de la gaveta

Para retirar las gavetas con los deslizadores ocultos de montaje inferior, coloque los sujetadores de plástico en la parte inferior de la gaveta. Coloque los sujetadores en los puntos marcados. Con presión moderada, presione las manijas de ambos lados hacia afuera de la caja de la gaveta. Debe mantener esta presión mientras retira la gaveta. Presionando los sujetadores, retire la gaveta por completo de su lugar. (Figura 29)

Para retirar gavetas con deslizadores de gaveta de montaje lateral, retire la gaveta hasta que deje de deslizarse. Luego, levante levemente la parte delante de la gaveta y con cuidado retire hacia delante hasta que se desenganche del deslizador.



## Cuidado y limpieza

Nuestros gabinetes son extremadamente resistentes a manchas y a los daños superficiales que pueden causar los productos químicos domésticos. Superan los estándares industriales de resistencia a manchas de café, jugo de uva y humedad, elementos muy presentes en todas las cocinas. Pero esto no quiere decir que sean resistentes a los daños por falta de mantenimiento. Con el cuidado adecuado, sus gabinetes le garantizarán años de uso y de buena apariencia en su hogar.

Limpie todos los derrames de inmediato. Use un paño húmedo y jabón suave si es necesario. Seque con un paño suave. No utilice blanqueador, detergentes, limpiadores cítricos o a base de amoníaco, lana de acero, almohadillas ni otros limpiadores abrasivos para limpiar sus gabinetes.

Limpie con frecuencia la suciedad con un paño suave sin pelusas. Puede humedecer el paño con agua o con un limpiador de muebles. Puede pulir las superficies de madera o laminado una vez cada meses con un pulidor para muebles de alta calidad que no sea a base de aceite. No use ceras. La acumulación de cera es difícil de quitar y dejará residuos que atraerán humedad y suciedad. Tampoco debe usar pulidores que contengan silicón.



**NOTA: NO UTILICE DETERGENTES, LIMPIADORES A BASE DE AMONÍACO, LANA DE ACERO, ALMOHADILLAS NI OTROS LIMPIADORES ABRASIVOS PARA LIMPIAR SUS GABINETES. NO COLOQUE O CONECTE ELECTRODOMÉSTICOS PEQUEÑOS DEBAJO DE LOS GABINETES DE PARED. LAS TOSTADORAS, LAS CAFETERAS Y OTROS ELECTRODOMÉSTICOS PEQUEÑOS PUEDEN PRODUCIR NIVELES EXCESIVOS DE CALOR Y DAÑAR SUS GABINETES.**

Tenga en cuenta que los acabados de gabinetes no deben exponerse a un calor superior a los 200 grados Fahrenheit (93 °C) (174 °F (79 °C) para acabados de láminas de metal térmicas).

### **HAY KITS DE PROTECCIÓN TÉRMICA DISPONIBLES PARA LÁMINAS DE METAL TÉRMICAS PARA DIRIGIR EL CALOR DEL HORNO LEJOS DE LOS GABINETES ADYACENTES.**

Para retocar los rayones o marcas que pueden ocasionarse durante la instalación de los gabinetes o durante su uso, use el marcador de retoque de manchas y el marcador Fil-Stik que están incluidos en la base del lavabo. El marcador de retoques y el marcador Fil-Stik combinan con el acabado de sus gabinetes y fueron diseñados exclusivamente para reparaciones domésticas.

Use el marcador de retoques en rayones, marcas y bordes gastados. Solo debe agitar el marcador, retirar la tapa y presionar la punta hasta que el fieltro esté húmedo. Es recomendable que pruebe el marcador en papel o cartón antes. Aplique los retoques de color con trazos ligeros y use un paño para limpiar el exceso. Espere unos minutos a que seque.

Fil-Stik es la herramienta ideal para desportilladuras, abolladuras, rayones profundos o bisagras abiertas. Solo debe aplicar Fil-Stik en el área afectada hasta que esté llena y limpiar el exceso con un paño seco. El marcador Fil-Stik rellenará pequeños orificios, desportilladuras, abolladuras y bisagras abiertas. Mantenga el marcador Fil-Stik fuera del alcance de los niños y las mascotas.

Con estos cuidados adicionales, se asegurará de que su trabajo duro se vea impecable y de que sus gabinetes se vean espléndidos durante años.

## Variaciones naturales

Deje que sus gabinetes de madera tengan un paso del tiempo natural y espléndido. La madera que se utilizó para fabricar estos gabinetes está calificada para satisfacer los estándares de la industria. Ninguna pieza de madera es idéntica a otra, aun si provienen del mismo árbol. Estas diferencias de color natural, textura y veta pueden hacer que cada pieza responda de forma distinta al entorno en que se encuentran. Por ejemplo, la madera de vetas pequeñas absorbe menos acabado y varía en color de la madera de vetas grandes. Estas variaciones hacen que la madera natural tenga una distinción y una belleza incomparable.

La madera es un material orgánico. Por lo tanto, las variaciones en textura, color y vetas son fenómenos naturales.

Con el paso del tiempo, la exposición a la luz solar, el humo y las

sustancias químicas pueden hacer que algunos materiales pierdan su color original. Este cambio ocurre de forma natural y no es un defecto. Por lo tanto, es posible que los gabinetes que se instalen después no tengan el mismo color que los gabinetes que se instalan hoy. Por esta misma razón, las muestras de puertas pueden no representar el color exacto que los gabinetes tendrán cuando los reciba en su hogar. La garantía de American Woodmark no cubre estos ni otros fenómenos ambientales, incluida la humedad, la cual puede ocasionar deformaciones o resquebrajamientos.

Si bien nuestro proceso de laminado y acabado de madera promueve la durabilidad, se recomienda limpiar las piezas con jabones suaves a fin de preservar su estado. Le recomendamos que lea las instrucciones de todos los productos de limpieza antes de usarlos.



# American Woodmark